

Product Announcement

Coltec Industries



Components Operation

Central Moloney
Transformer Division

NPA: 001017

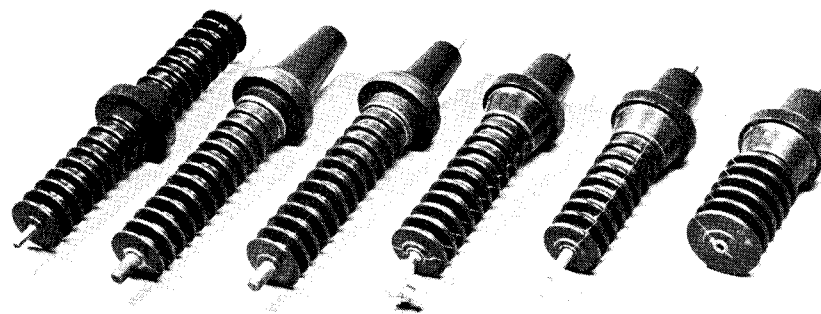
Product: Shedmount Bushings

Date: February 15, 1992

Availability: Immediate

SHEDMOUNT BUSHINGS

200 AMP & 600 AMP



Shedmount Bushing/ Design Flexibility

Flexibility of design is reflected in Components line of Shedmount Bushings - included in this Product Data Sheet is only a small sampling of the many variations offered. Backed by years of experience, the engineering staff at Components are redesigning existing products to suit specific customer requirements. With the shedmount bushing line the design variations are unlimited.

Electrical Design Parameters

Components Shedmount Bushing Design both 200/600 amperes are rated 8.3 kV through 21.1 kV, 95 kV BIL through 150 kV BIL

Mounting Requirements

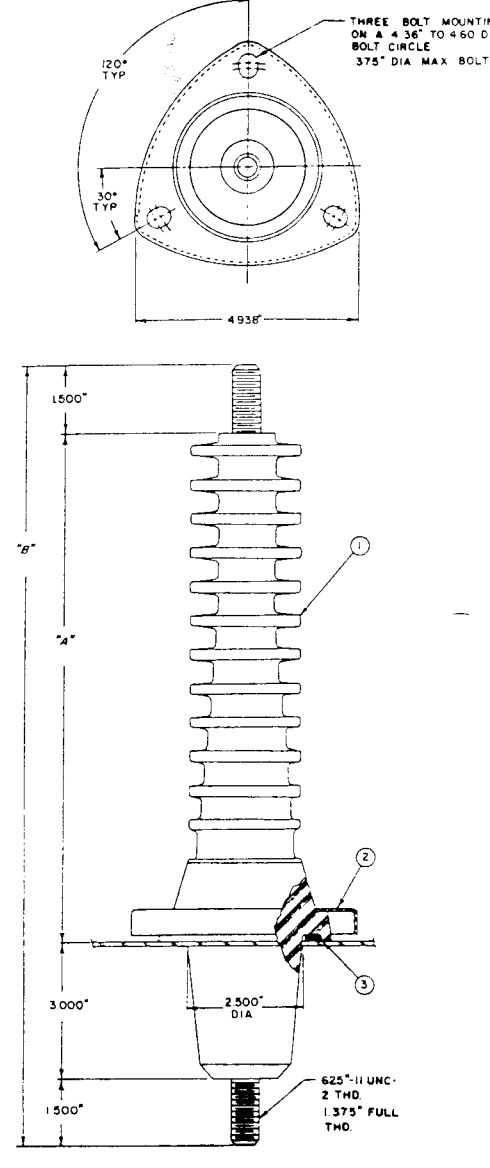
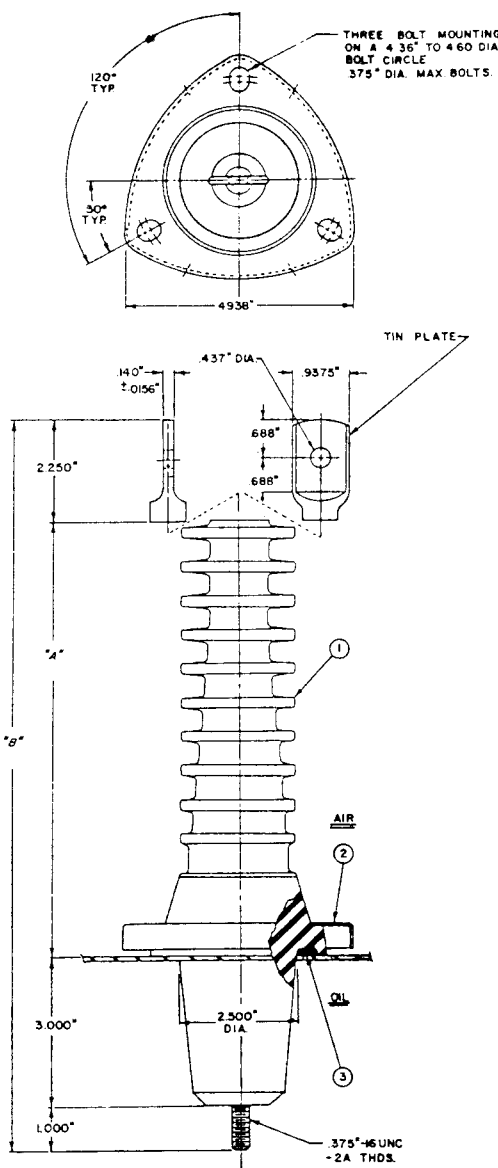
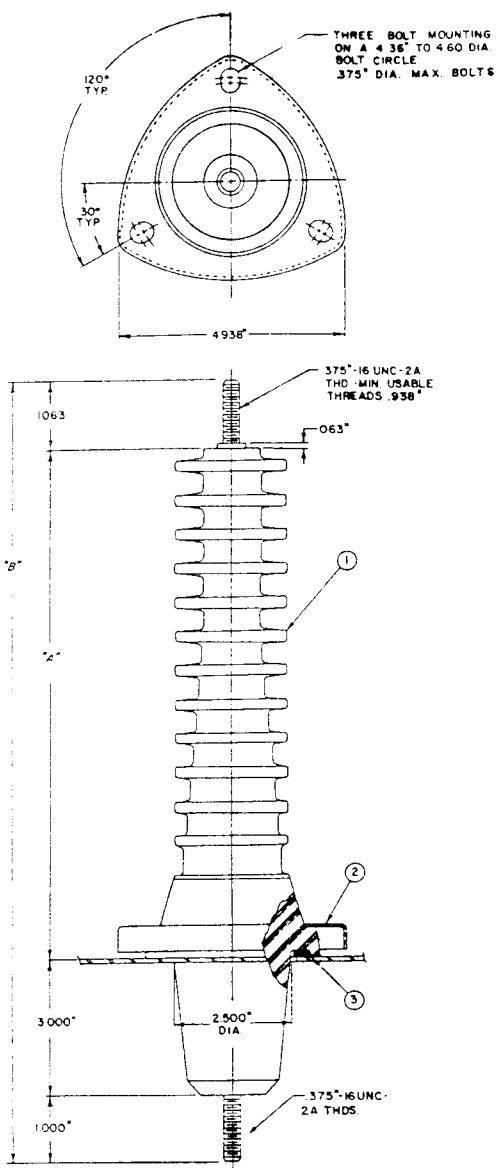
A 2.625" mounting hole is required to accommodate the externally clamped shedmount.

MECHANICAL CHARACTERISTICS

CURRENT
200 AMPS CONTINUOUS
MOUNTING HOLE
2.625" DIA.

CURRENT
200 AMPS CONTINUOUS
MOUNTING HOLE
2.625" DIA.

CURRENT
600 AMPS CONTINUOUS
MOUNTING HOLE
2.625" DIA.



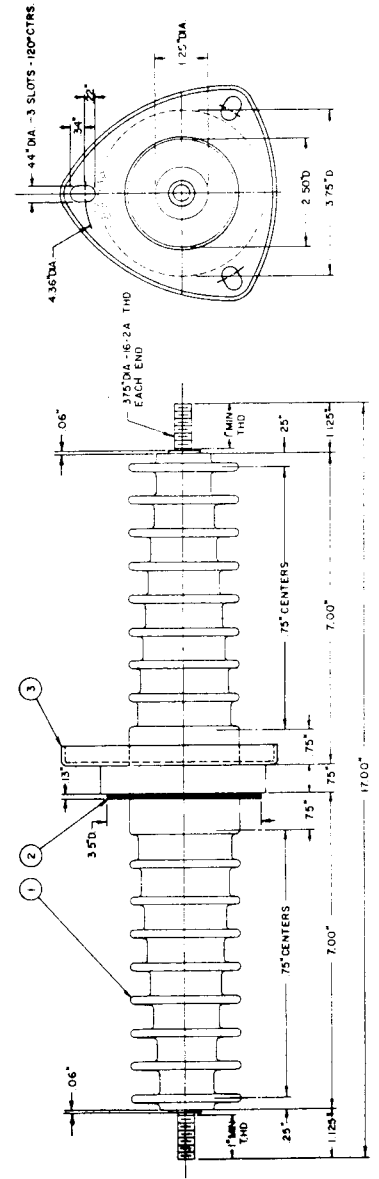
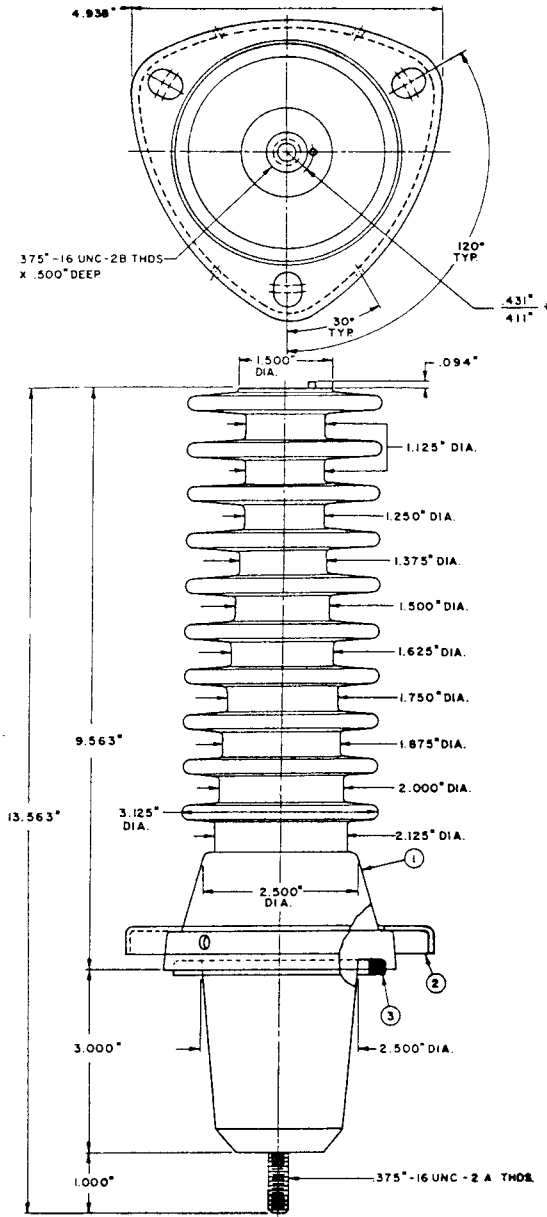
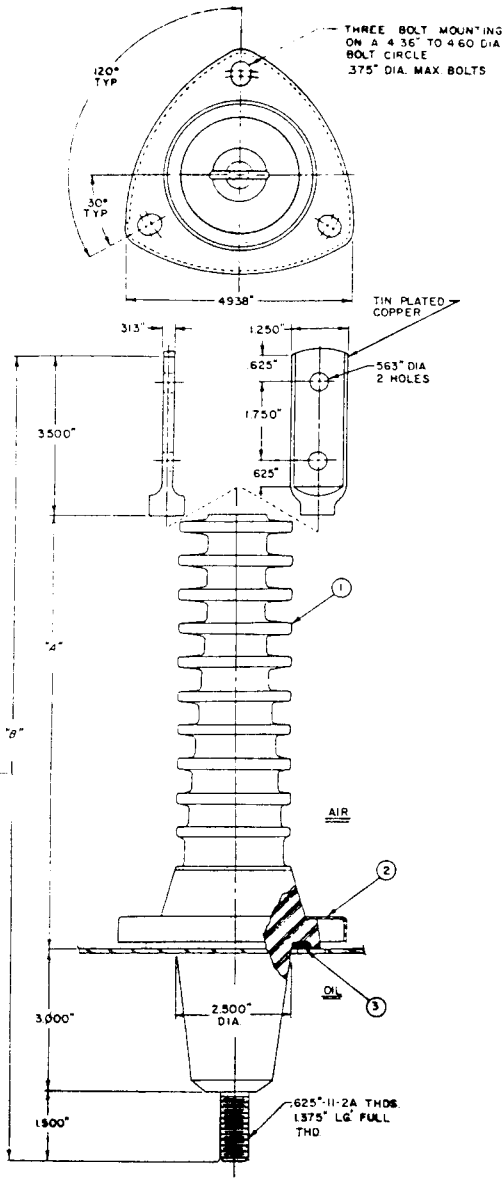
ASSY NO.	3-7024-1150	3-7024-1250	3-7024-1350	1	2	3	DIMENSIONS IN INCHES		ELECTRICAL RATING		
							A	B	MAX. LINE TO GROUND	IMPULSE LEVEL	CORONA EXTENSION
7024-1151	1	1	1	1	1	1	8.125	13.100	8.3 KV R.M.S.	95 KV B.I.L.	11 KV
7024-1152	1	1	1	1	1	1	8.625	14.800	15.2 KV R.M.S.	125 KV B.I.L.	19 KV
7024-1251	1	1	1	1	1	1	11.125	18.100	21.1 KV R.M.S.	150 KV B.I.L.	26 KV

ASSY NO.	3-7024-1180	3-7024-1280	3-7024-1380	1	2	3	DIMENSIONS IN INCHES		ELECTRICAL RATING		
							A	B	MAX. LINE TO GROUND	IMPULSE LEVEL	CORONA EXTENSION
7024-1181	1	1	1	1	1	1	8.125	14.375	8.3 KV R.M.S.	95 KV B.I.L.	11 KV
7024-1182	1	1	1	1	1	1	8.625	15.875	15.2 KV R.M.S.	125 KV B.I.L.	19 KV
7024-1281	1	1	1	1	1	1	11.125	17.375	21.1 KV R.M.S.	150 KV B.I.L.	26 KV

ASSY NO.	3-7024-1150	3-7024-1250	3-7024-1350	1	2	3	DIMENSIONS IN INCHES		ELECTRICAL RATING		
							A	B	MAX. LINE TO GROUND	IMPULSE LEVEL	CORONA EXTENSION
7024-1151	1	1	1	1	1	1	8.125	14.125	8.3 KV R.M.S.	95 KV B.I.L.	11 KV
7024-1152	1	1	1	1	1	1	8.625	15.625	15.2 KV R.M.S.	125 KV B.I.L.	19 KV
7024-1251	1	1	1	1	1	1	11.125	17.125	21.1 KV R.M.S.	150 KV B.I.L.	26 KV

CURRENT
600 AMPS CONTINUOUS
MOUNTING HOLE
2.625" DIA.

NOTES
1 - APPROX. TOTAL LEAKAGE DISTANCE
14" EACH END.
2 - 95 KV BIL
3 - 2.625" DIA. TANK OPENING



OIL TO AIR BUSHING

ELECTRICAL RATINGS:
MAXIMUM LINE TO GROUND VOLTAGE 21.1 KV
IMPULSE LEVEL 150 KV B.I.L.

CURRENT:
200 AMPS CONTINUOUS

FASTENING:
THREE .375" DIA. (MAX) BOLTS ON A 4.60" DIA.

MOUNTING HOLE:
TANK HOLE SIZE - 2.625" DIA

ASSY. NO.	3-7024-2100	3-7024-2200	2-7024-2300	2-324094-01	2-324094-01	2-324094-11	1-321618-08	ELECTRICAL RATING				
								A	B	MAX. LINE TO GROUND	IMPULSE LEVEL	CORONA DISTANCE
7024-2101	1		1	X	1			8.125	16.125	8.3 KV R.M.S.	95 KV B.I.L.	11 KV
7024-2102	1		X	1				9.625	17.625	15.2 KV R.M.S.	125 KV B.I.L.	19 KV
7024-2201	1		1	X	1			11.125	19.125	21.1 KV R.M.S.	150 KV B.I.L.	26 KV
7024-2202	1		X	1								
7024-2301	1		1	X	1							
7024-2302	1		X	1								

ASSY. NO.	ITEM	DESCRIPTION	P.M. P.P. NUMBER	QTY.	U/M
7024-72	1	BUSHING ASSY	3-7024-1371	1	EA
	2	CLAMPING RING	2-324094-01	1	EA
	3	BUNA 'N' GASKET	1-321618-08	1	EA
	4	THREAD PROTECTOR (NOT SHOWN)	700002-84	2	EA

ASSY. NO.	ITEM	DESCRIPTION	P.M. P.P. CC NO.	QTY.	U/M
7024-72	1	BUSHING ASSY	3-7024-1371		
	2	CLAMPING RING	2-324094-01	1	EA
	3	BUNA 'N' GASKET	1-321618-08		

NOTE

1. APPROX. 21.53" TOTAL LEAKAGE DISTANCE

CERTIFIED TEST RESULTS
SHEDMOUNT BUSHINGS

SUBJECT:

Testing of Components Operation Apparatus bushing P/N 730004-75, 76, 77 for conformance with ANSI/IEEE standard 386-1977 at voltages associated with the maximum operating level of 8.3 kV, 15.2 kV and 21.1 kV phase to ground.

TEST PROCEDURE:

Bushings were mounted in oil filled tank to simulate actual operating conditions.

A. CORONA VOLTAGE LEVEL:

P/N 730004-75 CIV 27.8 KV, CEV 19.6 KV

P/N 730004-76 CIV 38.5 KV, CEV 30.2 KV

P/N 730004-77 CIV 41.2 KV, CEV 36.4 KV

B. ALTERNATING CURRENT 60 Hz
FOR 1 MINUTE (Kv rms)

Withstand Voltage 38 kV rms P/N 730004-75

Withstand Voltage 42 kV rms P/N 730004-76

Withstand Voltage 55 kV rms P/N 720004-77

C. IMPULSE WITHSTAND VOLTAGE

730004-75-20.3 x 4.95=100.48 kV (full wave)-Negative shots

730004-75-20.3 x 5.2=105.56 kV (full wave)-Positive shots

730004-75-24.4 x 5.4=131.76 kV (full wave)-last successful shot

(fig. 1 & 2) 24.4 x 5.6=136.64 kV (full wave)-flashover

730004-76-30.5 x 4.15=126.57 kV (full wave)-Positive shots

(fig. 3 & 4) 30.5 x 4.15=126.57 kV (full wave)-Negative shots

730004-77-30.5 x 5.0=152.5 kV (full wave)-Negative shots

(fig. 5 & 6) 30.5 x 5.0=152.5 kV (full wave)-Positive shots

D. THERMAL CYCLE

Limits - 40°C degrees centigrade to ambient to 140°C degrees centigrade for ten cycles completed without cracking, leaking or electrical breakdown.

5500 JEFFERSON PARKWAY • PINE BLUFF, ARKANSAS 71602 • 501/247-5320

Coltec Industries



Components Operation
Central Moloney
Transformer Division