

Weld Well

200 AMP Bushing Well

Central Moloney, Inc.
Components Operation
 An ISO 9001 Certified Company

Product Data Sheet

File No.	PDS1031	Issued:	April 13, 1998
Availability:	Immediate	Supercedes:	N/A

Weld Well 200 AMP Bushing Well

Application

Central Moloney Weld Wells, manufactured since 1975, are designed for oil or SF6 filled apparatus. They are manufactured in accordance with the design requirements of ANSI/IEEE Standard 386, as applicable to bushing wells.

The Weld Well is designed to be welded or clamped into apparatus. Typical applications include padmount transformers, submersible transformers, and welded bushing switchgear.

Design

The bushing body is manufactured from cycloaliphatic epoxy, a high grade electrical epoxy proven in high voltage applications for over 30 years. The flange is made of corrosion resistant 300 series stainless steel and is available with or without bail tabs. A conductive epoxy coating provides appropriate ground conduction from the flange to the lip of the well. The Central

Moloney patented removable stud is available in all designs.

Installation

Weld Wells can be welded using MIG, TIG, or stick welding techniques. Adequate heat sinks must be utilized to prevent overheating the flange.



Fig 1

Family of Weld Well Bushings

Electrical Ratings Summary		
Current Ratings:		
Continuous:	200 AMPS	
8 Hr Overload:	300 AMPS	
Momentary:		
	15 KA RMS ASYM 12 Cycles	
	10 KA RMS SYM .5 Sec.	
	3.5 KA RMS SYM 3.0 Sec.	
Voltage Class:	25KV	35KV
Max. Line to Ground:	17.0 KV	21.1 KV
BIL:	125 KV	150 KV
AC Withstand (1 min.):	40 KV	50 KV
DC Withstand (15 min.):	78 KV	103 KV
Corona Extinction:	19 KV	26 KV

Table 1

Weld Well

Part Dimensions

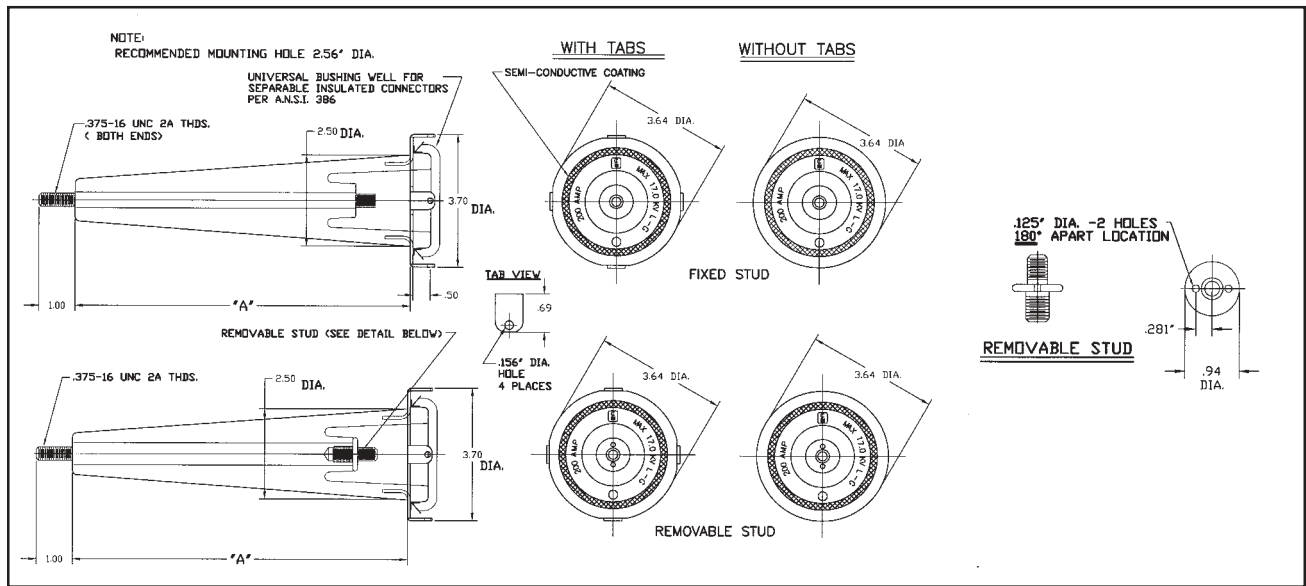


Fig 2

Additional Information Available:

Design Test Report - Report No. 2232-01

Welding Guidelines - CDS 22100

Ordering Information

"A" DIM.	FLANGE	STUD	25 KV CLASS 125 KV BIL PART NUMBER	35 KV CLASS 150 KV BIL PART NUMBER
2.75 "	w/Tabs	Fixed	702211-51	702212-51
2.75"	w/o Tabs	Fixed	702211-95	702212-53
2.75"	w/Tabs	Rem.	702211-71	702212-71
2.75"	w/o Tabs	Rem.	702211-91	702212-75
5.00"	w/Tabs	Fixed	702221-51	702222-51
5.00"	w/o Tabs	Fixed	702221-57	702222-57
5.00"	w/Tabs	Rem.	702221-71	702222-71
5.00"	w/o Tabs	Rem.	702221-75	702222-75
9.25"	w/Tabs	Fixed	702231-51	702232-51
9.25"	w/o Tabs	Fixed	702231-66	702232-64
9.25"	w/Tabs	Rem.	702231-71	702232-71
9.25"	w/o Tabs	Rem.	702231-74	702232-74
15.00"	w/Tabs	Fixed	702241-51	702242-51
15.00"	w/o Tabs	Fixed	702241-54	702242-55
15.00"	w/Tabs	Rem.	702241-61	702242-61
15.00"	w/o Tabs	Rem.	702241-65	702242-63

Table 2

Central Moloney, Inc. Components Operation

An ISO 9001 Certified Company

5500 Jefferson Parkway Pine Bluff, Arkansas 71602 Tel. 870-247-5320 Fax 870-247-5369