

Tuf-Cup Drip Shield

For Bayonet Fuse Holders

Central Moloney, Inc.
Components Operation
An Arkansas Owned Company

Product Data Sheet

"Tuf-Cup" Drip Shield With Optional Removable Absorbent Pad

A molded cup type drip shield which won't break or fall off. . . Now available with a removable absorbent pad. . .

Central Moloney Components introduction of a revolutionary cup type drip shield, the "Tuf Cup" has been further improved with the addition of a removable absorbent pad.

"Tuf-Cup" Drip Shield Advantages

Strong tethered latch

Strength... Will withstand over 25 # of weight

Optional removable absorbent pad to soak up spills

Ease of Installation . . . Will adapt to all brands of bayonet Fuse Holders

Long lasting engineered polypropylene copolymer

In line with past successes in meeting customers' demands for tougher, more durable products, such as the Tuf Exmount secondary bushing and Tuf Well bushing well, the "Tuf Cup" drip shield is strong enough to withstand severe physical abuse without failure.

A cup type drip shield provides much better protection against oil spillage upon fuse removal than angled styles. Since bayonet fuses are typically located directly over the primary elbows, it is extremely important that oil be prevented from dripping on the primary connections. Oil can damage the rubber material of the elbows. Also, there is growing environmental concern about oil spillage.

Previous designs of molded cup type drip shields worked well in theory, but haven't had the strength of attachment necessary to remain in place if bumped by the hot stick during fuse removal. The "Tuf Cup" is the solution!



Fig. 1

Typical Installation

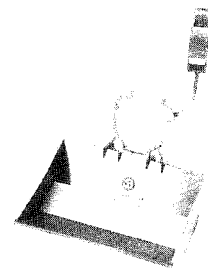


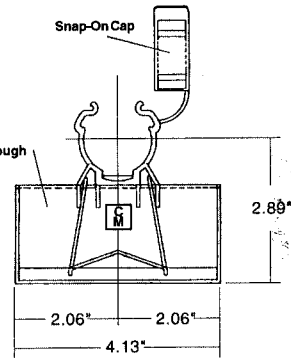
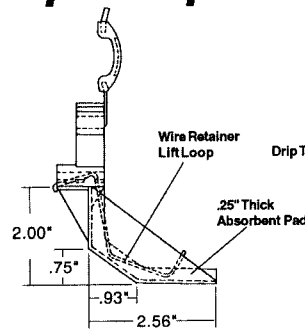
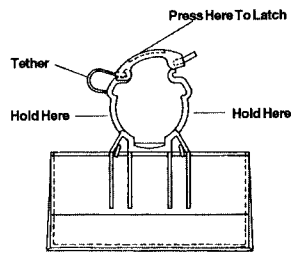
Fig. 2

Unique tethered Latch

Latching . . .

The key to the strength of the "Tuf Cup" is the unique tethered latch. Molded into the design (so it can't get lost), the latch fastens the drip shields solidly to the bayonet fuse holder. Unlike other designs of drip shield which are prone to break or fall off with the slightest force, the "Tuf Cup" is nearly impossible to dislodge. For example, *this drip shield will withstand 25 pounds of weight applied to the lip of the cup.* This is the ruggedness a drip shield needs to withstand the inevitable abuse of hot stick fuse installation and removal.

"Tuf-Cup" Drip Shield



Shown With Optional Removable Absorbent Pad Assembly

* Patent Applied For

Oil Capacity - 4 fl. oz.

Outline Dimensions & Application Notes



Fig.3 Strong enough to support a 16Lb. bowling ball

Application . . .

The "Tuf Cup" drip shield can be used with all brands of bayonet fuse holders.

Installation . . .

Despite the fact the "Tuf Cup" is so strong, it is easily installed or removed. To install, snap the ears around the bayonet body and position so the latch engages the groove on the bottom side as well as the protrusions on either side. Hold both halves of the latch in place from beneath with one hand, engage the tethered end of the cap first, then press down on the center of the cap. The other end of the cap will snap in place.

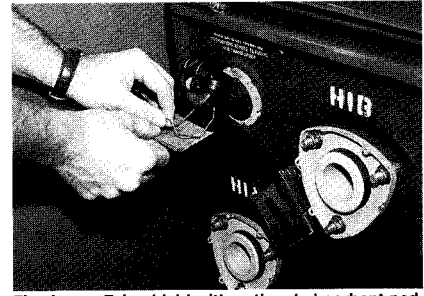


Fig. 4 Drip shield with optional absorbent pad.

Available with removable absorbent pad. . .

To insure better oil capture and provide a convenient means of oil removal, the Central Moloney Components "Tuf Cup" is now available with an optional retained oil absorbent pad. The pad effectively captures and holds the spilled oil to reduce the possibility of oil contamination on ground soil, primary elbows, and secondary cables.

The pad is held in place with a uniquely designed stainless steel retainer which permits easy replacement of saturated pads.

Specify the Central Moloney Components "Tuf Cup" Drip Shield with "retained absorbent pad".

Central Moloney, Inc.

An Arkansas Owned Company

In Conclusion . . .

Central Moloney Components has built an established record through incredible growth in advanced manufacturing technology. Since its inception in 1970, Components has been constantly searching for new ways to improve the performance and reliability of our products. Innovation, design quality, flexibility, and delivery are all a part of the continuing story of Components.

Ordering Instructions . . .

Part No.	Description
70382457	"Tuf-Cup" Drip Shield
70382458	"Tuf-Cup" Drip Shield with Stainless Retainer and Absorbent Pad
70382402	Replacement Absorbent Pad

* Patent Applied For