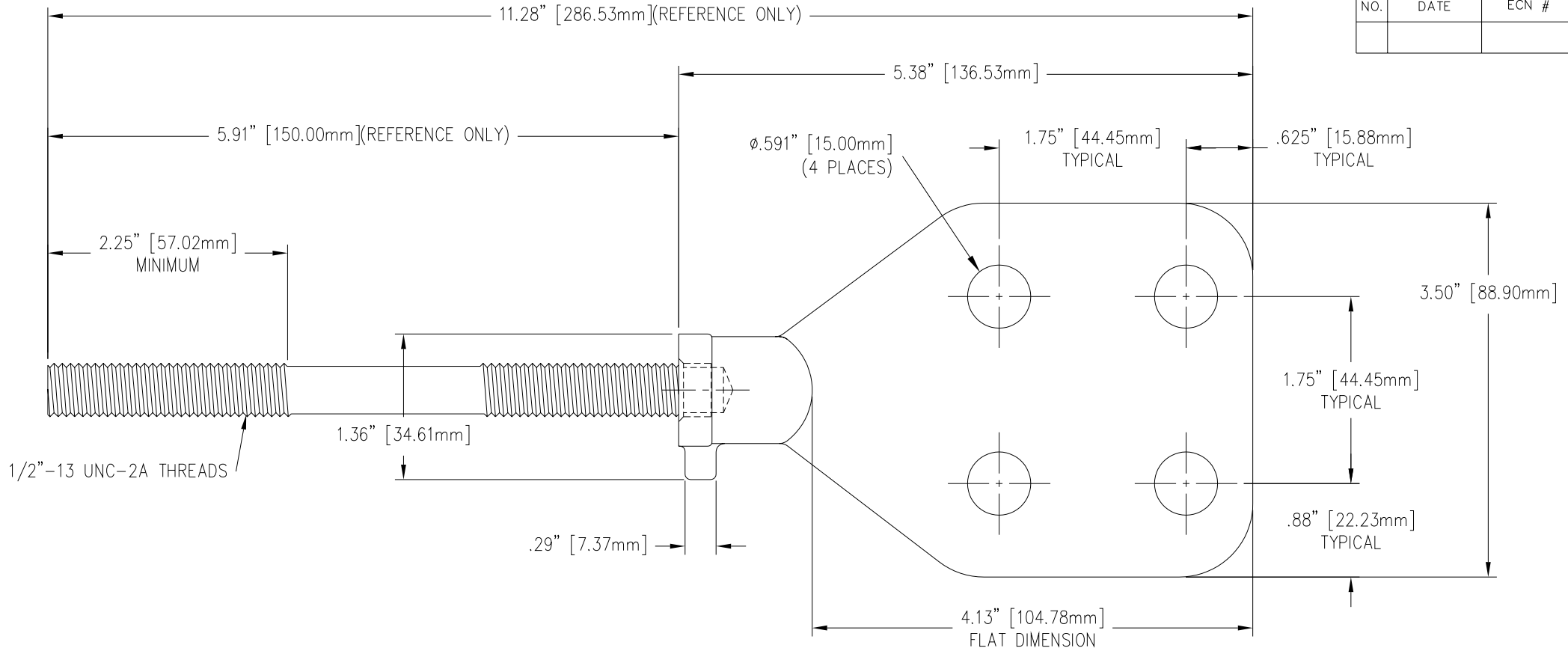
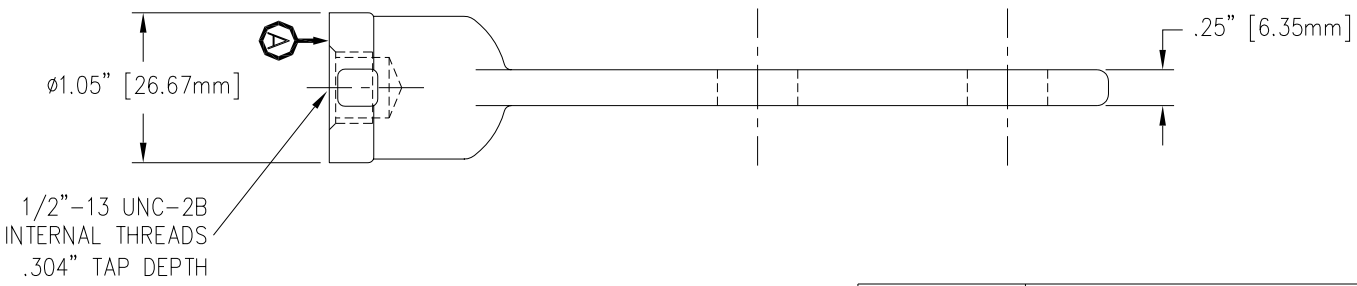


REVISIONS					
NO.	DATE	ECN #	REMARKS	BY	APPD.



1/2"-13 UNC-2A THREADS




1/2"-13 UNC-2B  
INTERNAL THREADS  
.304" TAP DEPTH

NOTES:  
INCLUDES THREE EXTRA BRASS NUTS.  
INCLUDES THREE EXTRA BRASS WASHERS.

MATERIALS:  
STUD - COPPER CDA 110  
SPADE - CDA 844 TIN PLATED

NOTE:  
FULL THREAD FROM SURFACE   
TO THE DEPTH SPECIFIED IN THE TAP NOTE.

TOLERANCES (EXCEPT AS NOTED) DECIMAL $\pm .032\text{''} / .8\text{mm}$ FRACTIONAL $\pm$ ANGULAR $\pm 2^\circ$		<b>H-J ENTERPRISES, INC.</b> 3010 HIGH RIDGE BLVD. HIGH RIDGE, MO. 63049 USA PHONE 1-636-677-3421 FAX 1-636-376-1915		
		4 HOLE METRIC SPADE TERMINAL AND 1/2"-13 STUD ASSEMBLY		
		MATERIAL (SEE DRAWING)		
		CHK'D DRAWN BY CJT	APP'D DATE 3-12-01	DRAWING NO. MAS0086-003