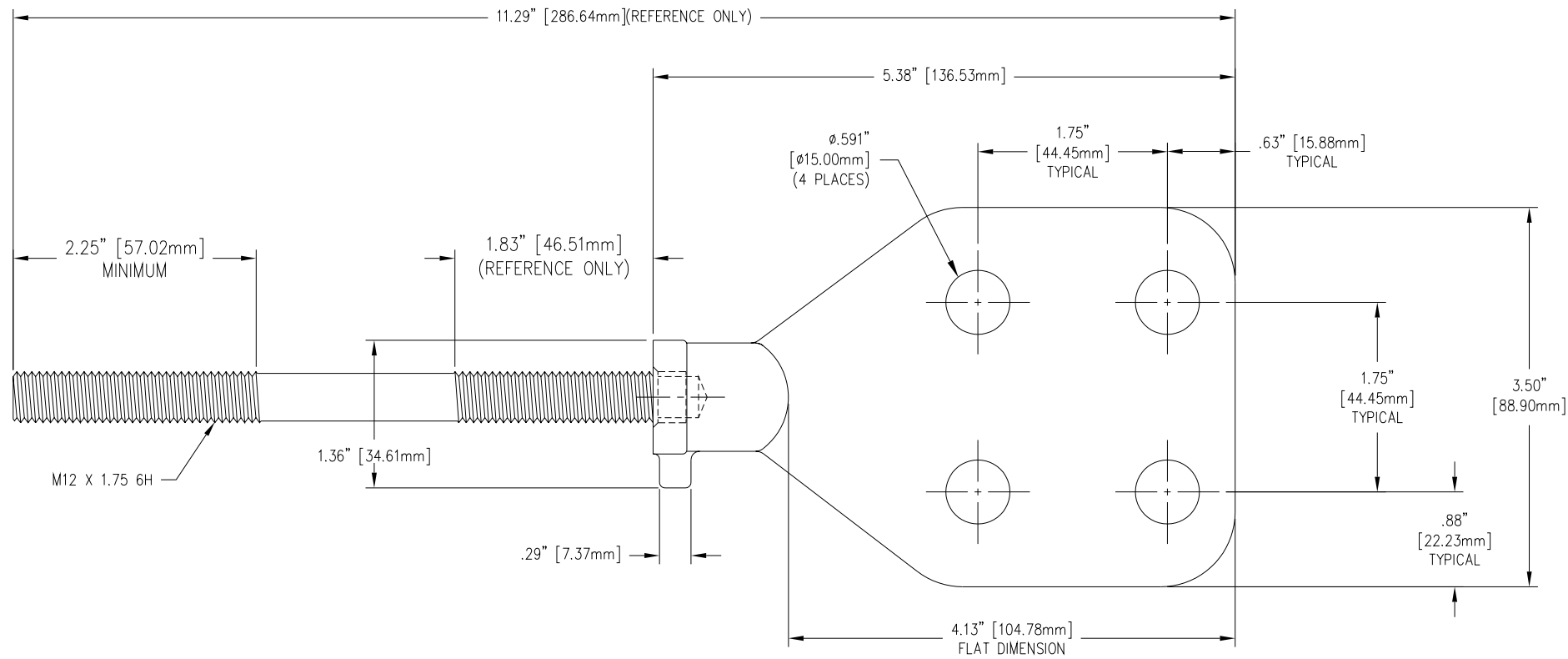
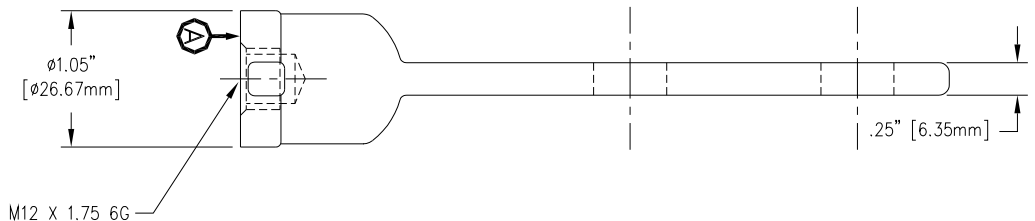


REVISIONS				
NO.	DATE	REMARKS	BY	APPD.




M12 X 1.75 6H



M12 X 1.75 6G

MATERIALS:
 STUD - COPPER CDA 110
 SPADE - CDA 844 TIN PLATED

NOTE:
 FULL THREAD FROM SURFACE 
 TO THE DEPTH SPECIFIED IN THE TAP NOTE.

TOLERANCES (EXCEPT AS NOTED)		H-J ENTERPRISES, INC. 3010 HIGH RIDGE BLVD. HIGH RIDGE, MO. 63049 USA PHONE 1-636-677-3421 FAX 1-636-376-1915		
		4 HOLE SPADE TERMINAL AND M12 X 1.75 STUD ASSEMBLY		
DECIMAL ± .032"/.8mm	MATERIAL (SEE DRAWING) CHK'D APP'D DRAWING NO. _____ _____ _____	SCALE N.T.S.		
FRACTIONAL ±		DRAWING NO. MAS0086-002		
ANGULAR ± 2°	DRAWN BY C.J.T.	DATE 5-1-98	SCALE N.T.S.	