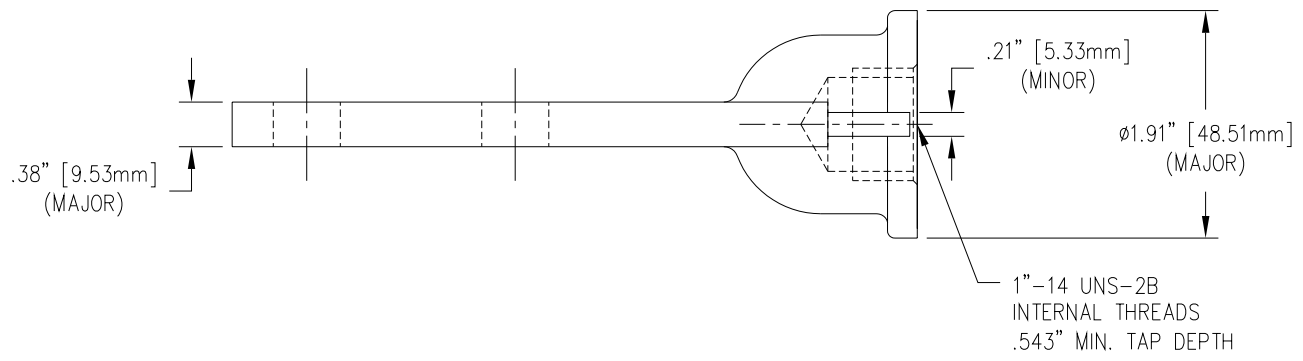
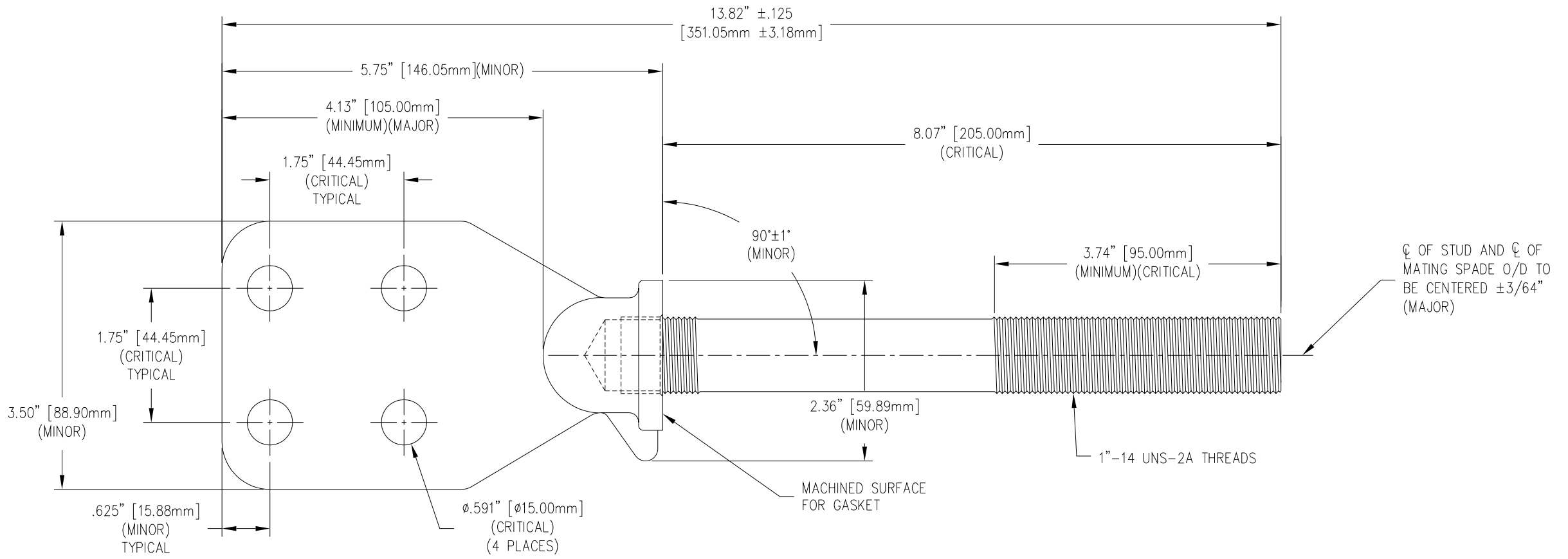


REVISIONS					
NO.	DATE	ECN #	REMARKS	BY	APPD.




NOTES:

- 1. INCLUDES THREE EXTRA BRASS NUTS.
- 2. INCLUDES THREE EXTRA BRASS WASHERS.

MATERIAL:

STUD - COPPER CDA 110 (CRITICAL)
 SPADE - CDA 844 TIN PLATED (CRITICAL)

TOLERANCES (EXCEPT AS NOTED) DECIMAL ± .04"/1mm FRACTIONAL ± ANGULAR ± 2°		H-J ENTERPRISES, INC. 3010 HIGH RIDGE BLVD. HIGH RIDGE, MO. 63049 USA PHONE 1-636-677-3421 FAX 1-636-376-1915				
		4 HOLE METRIC SPADE AND 1"-14 STUD ASSEMBLY				
		MATERIAL (SEE ABOVE)		CHK'D	APP'D	DRAWING NO.
		DRAWN BY CJT	DATE 3-12-01	SCALE N.T.S.	MAS0017-003	