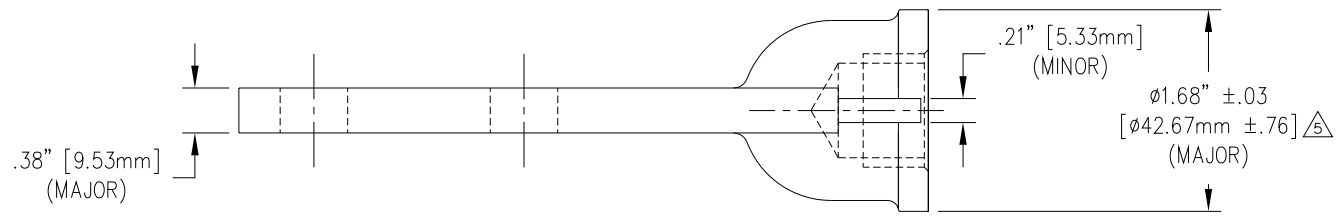
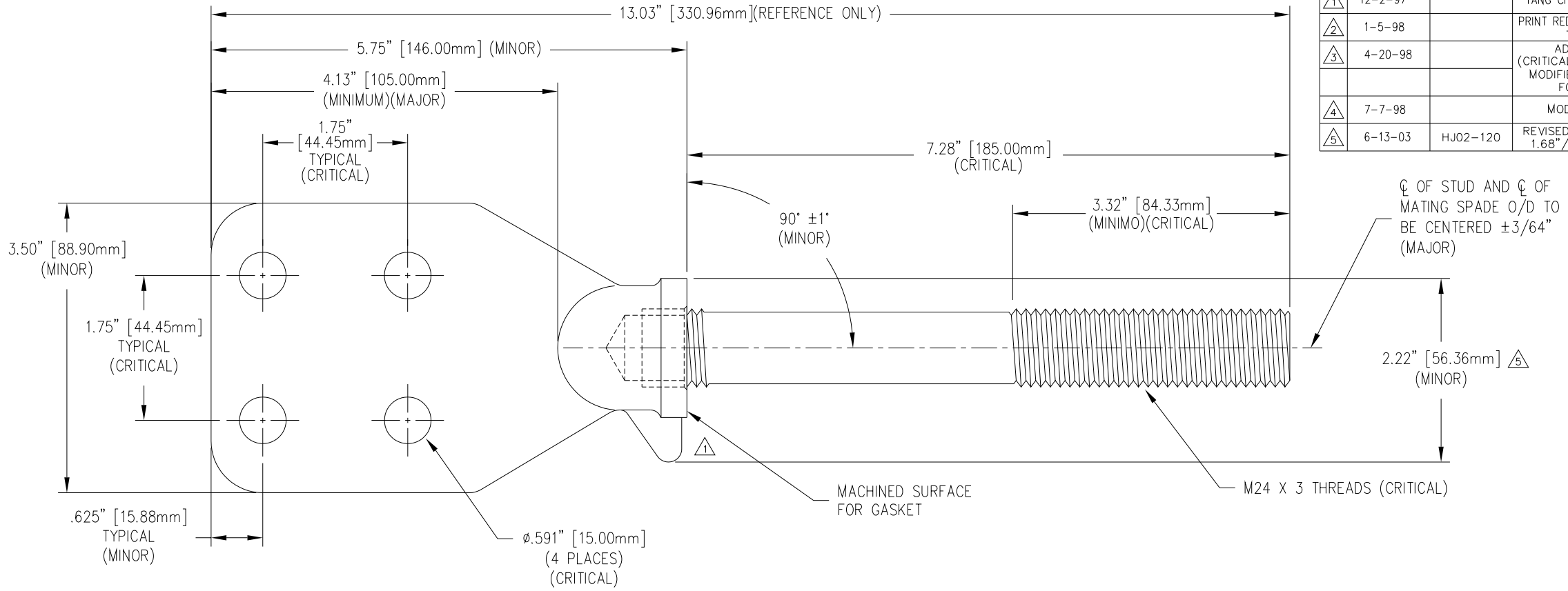


REVISIONS					
NO.	DATE	ECN #	REMARKS	BY	APPD.
1	12-2-97		TANG CHANGED ON SPADE	BTD	JFS
2	1-5-98		PRINT REDRAWN & SPADE IS TIN PLATED	BTD	LHE
3	4-20-98		ADDED NOTES (CRITICAL, MAJOR, MINOR) MODIFIED TITLE BLOCK FOR CELECO	TLH	JFS
4	7-7-98		MODIFIED NOTES	CJT	LHE
5	6-13-03	HJ02-120	REVISED DIMS: 1.90" TO 1.68"/2.38" TO 2.22"	CJT	SP



- NOTES:
- 1. INCLUDES THREE EXTRA BRASS NUTS. (MNT0004-001)
 - 2. INCLUDES THREE EXTRA BRASS WASHERS. (WA0025-001)

MATERIAL:

- STUD - COPPER CDA 11000 (CRITICAL)
- SPADE - CDA 84400 TIN PLATED (CRITICAL)

TOLERANCES (EXCEPT AS NOTED)				H-J ENTERPRISES, INC. 3010 HIGH RIDGE BLVD. HIGH RIDGE, MO. 63049 USA PHONE 1-636-677-3421 FAX 1-636-376-1915	
DECIMAL	± .04"/1mm			METRIC ASSEMBLY FOR CELECO 4 HOLE SPADE / M24 X 3 STUD	
FRACTIONAL	±	MATERIAL (SEE ABOVE)		CHK'D	APP'D
ANGULAR	± 2°	DRAWN BY	DATE	SCALE	DRAWING NO.
		TLH	5-9-96	N.T.S.	MAS0017-001