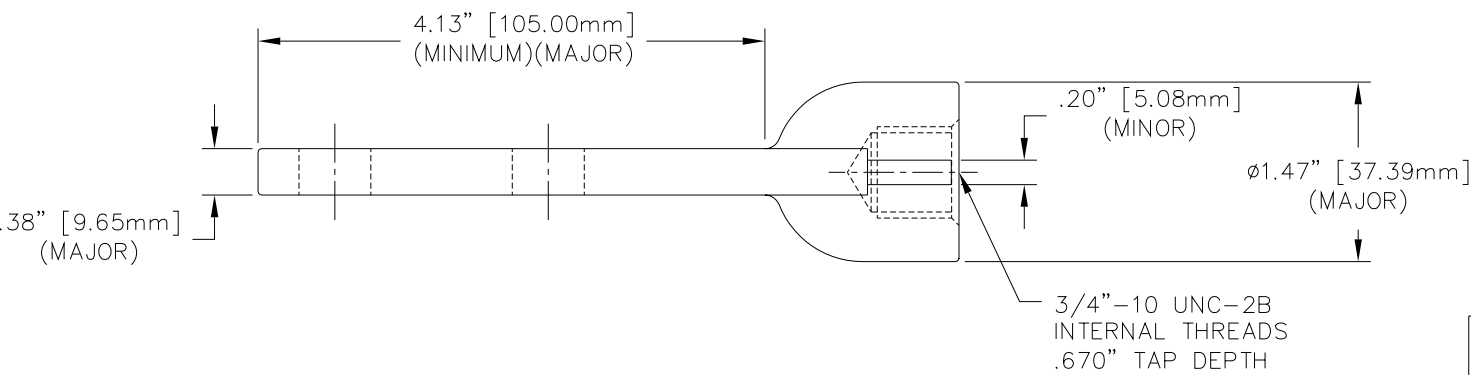
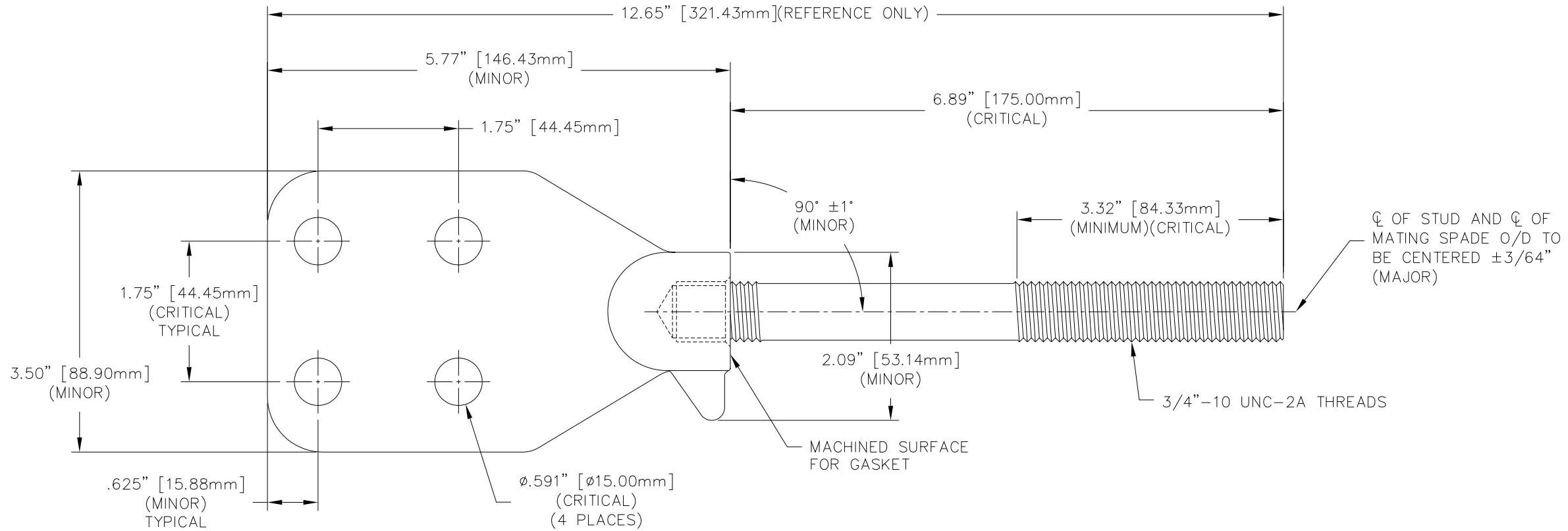



REVISIONS					
NO.	DATE	ECN #	REMARKS	BY	APPD.



- NOTES:
1. INCLUDES THREE BRASS NUTS.
 2. INCLUDES THREE BRASS WASHERS.

MATERIAL:
 STUD - COPPER CDA 110 (CRITICAL)
 SPADE - CDA 844 TIN PLATED (CRITICAL)

TOLERANCES (EXCEPT AS NOTED)				H-J ENTERPRISES, INC. 3010 HIGH RIDGE BLVD, HIGH RIDGE, MO. 63049 USA PHONE 1-636-677-3421 FAX 1-636-376-1915	
DECIMAL	±.04" / ±1mm			4 HOLE METRIC SPADE AND 3/4" - 10 STUD ASSEMBLY	
FRACTIONAL	±	MATERIAL (SEE ABOVE)		CHK'D	APP'D
ANGULAR	± 2°	DRAWING NO. MAS0016-003		DRAWN BY CJT	DATE 3-12-01
		SCALE N.T.S.			