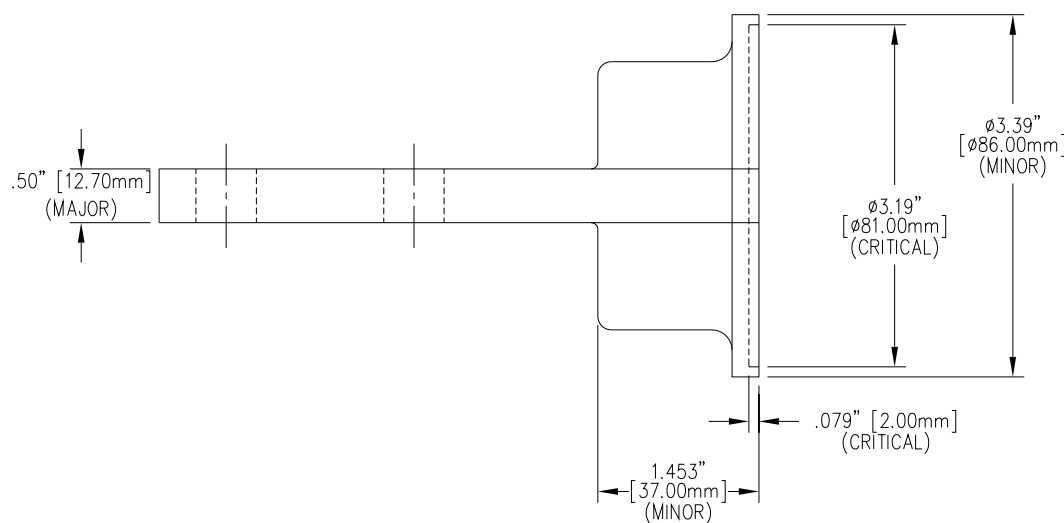
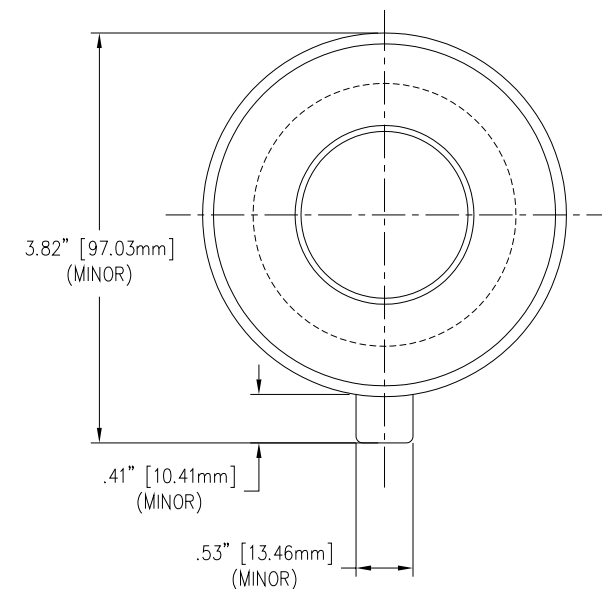
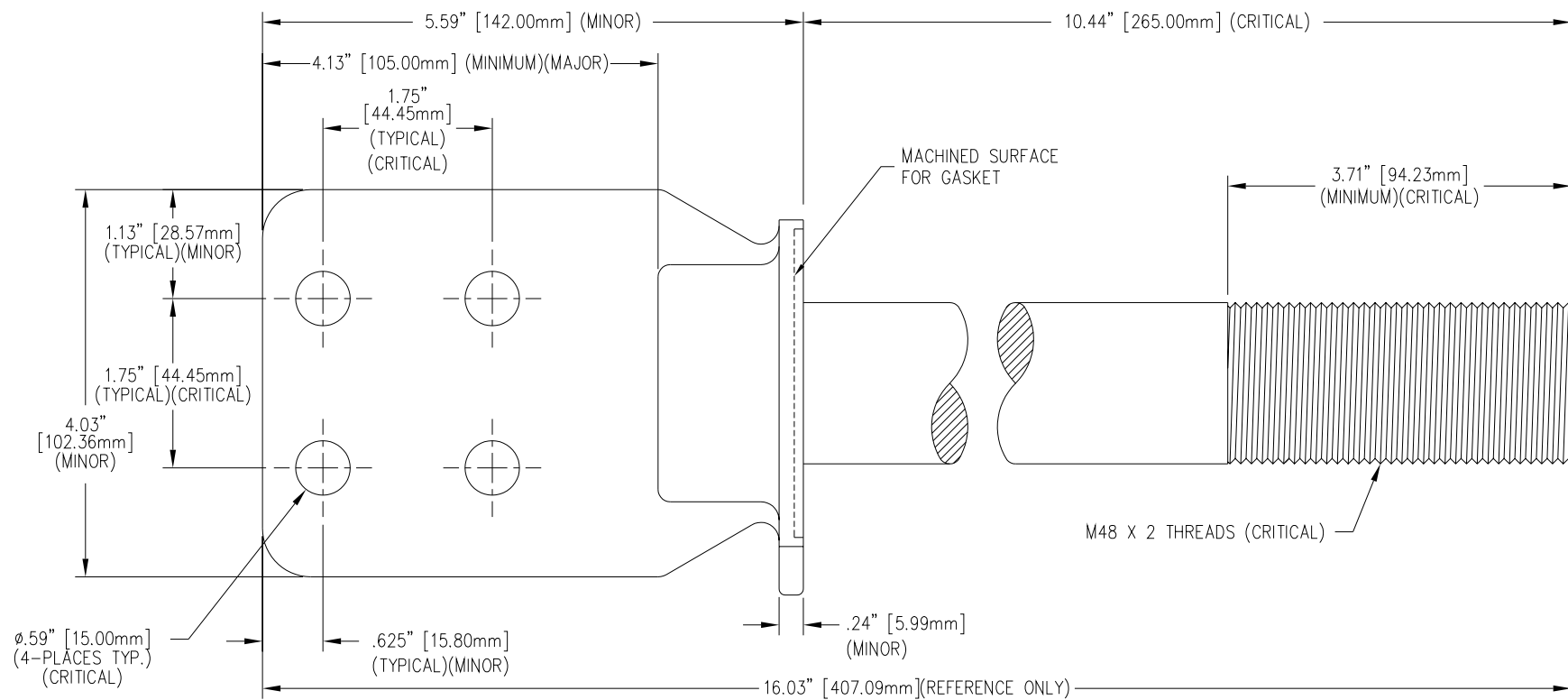


REVISIONS				
NO.	DATE	REMARKS	BY	APPD.
1	5-3-96	UPDATED DRAWING TO CURRENT STANDARDS.	TLH	LHE
2	12-2-97	CHANGED OVERALL LENGTH	BTD	JFS
3	4-14-98	ADDED NOTES (CRITICAL, MAJOR, MINOR) MODIFIED THE TITLE BLOCK FOR CELECO	TLH	JFS
4	7-7-98	MODIFIED NOTE.	CJT	LHE



NOTES:

- 1. INCLUDES THREE BRASS NUTS. (MNT0008-001)
- 2. INCLUDES THREE BRASS WASHERS. (MWA0008-001)

MATERIAL:

STUD - COPPER CDA 110 (CRITICAL)
 SPADE - CDA 844 - TIN PLATED (CRITICAL)

TOLERANCES (EXCEPT AS NOTED)	
DECIMAL	± .04"/1mm
FRACTIONAL	±
ANGULAR	± 2°



H-J ENTERPRISES, INC.
 3010 HIGH RIDGE BLVD. HIGH RIDGE, MO. 63049 USA
 PHONE 1-636-677-3421 FAX 1-636-376-1915

METRIC ASSEMBLY FOR CELECO
 4 HOLE SPADE / M48 X 2 STUD

MATERIAL (SEE ABOVE)		CHK'D	APP'D	DRAWING NO.
				MAS0008-001
DRAWN BY	DATE	SCALE		
TLH	5-1-96	N.T.S.		