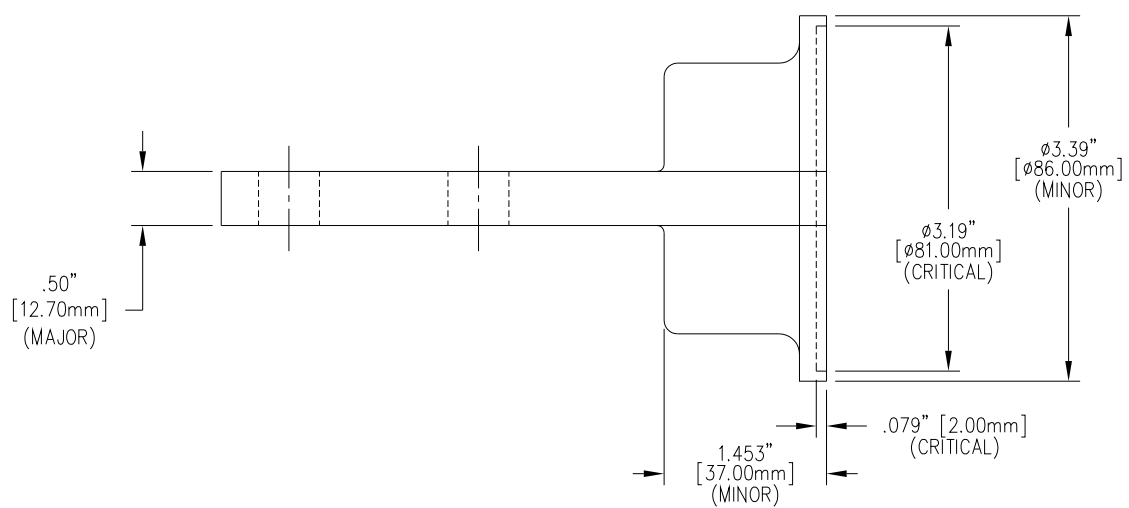
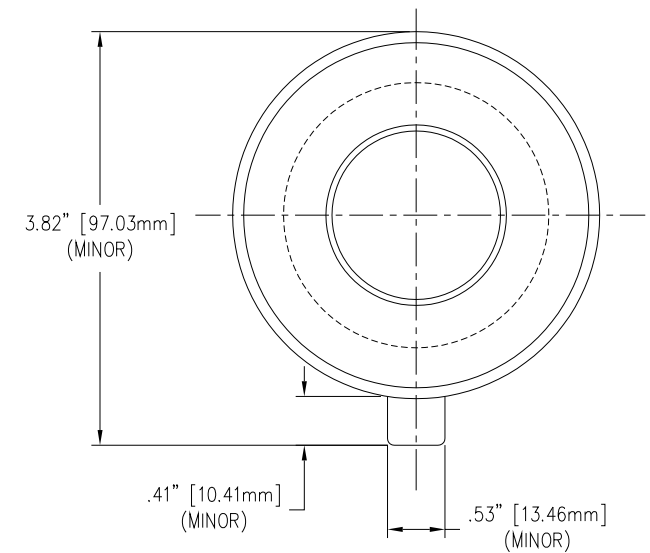
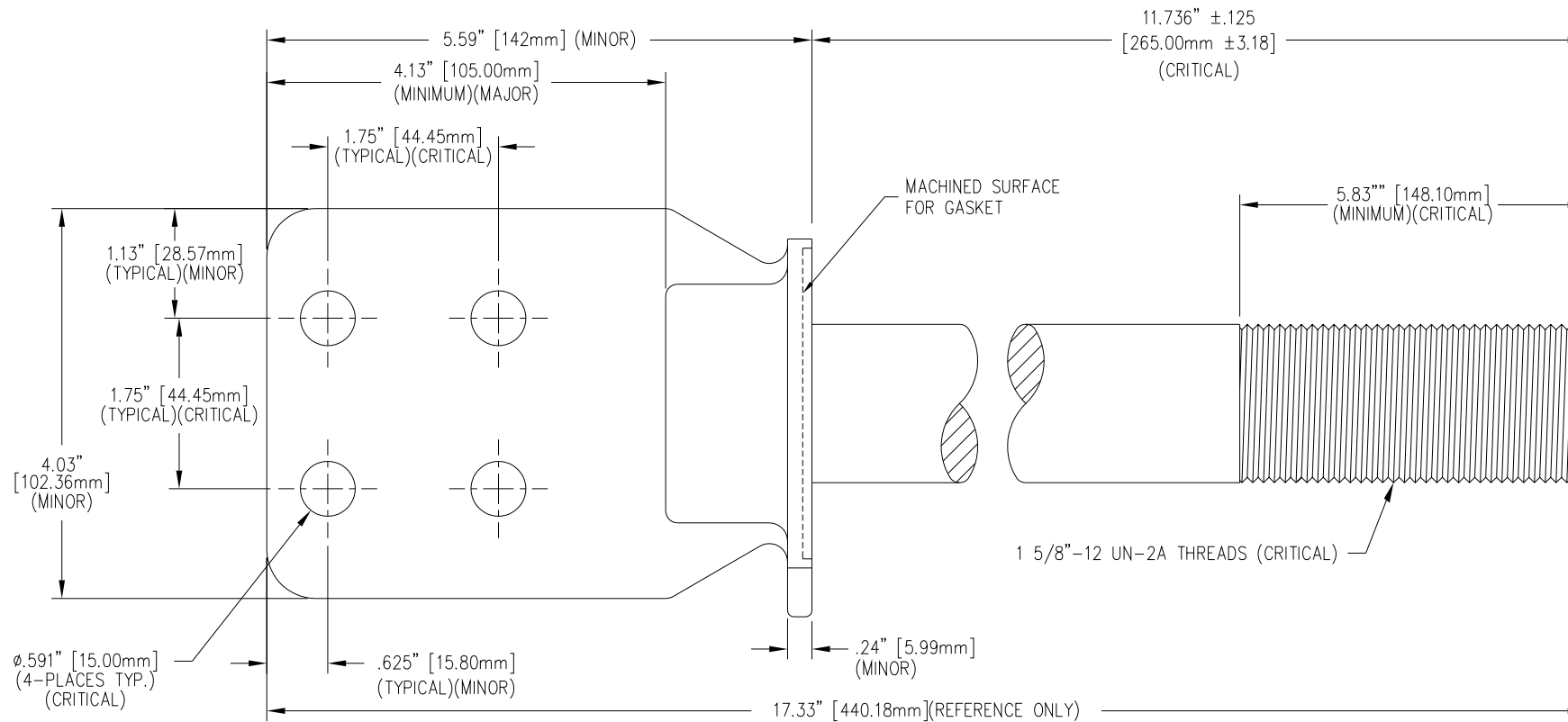


REVISIONS					
NO.	DATE	ECN #	REMARKS	BY	APPD.



NOTES:

1. INCLUDES THREE BRASS NUTS.
2. INCLUDES THREE BRASS WASHERS.

MATERIAL:

- STUD - COPPER CDA 110 (CRITICAL)
- SPADE - CDA 844 - TIN PLATED (CRITICAL)

TOLERANCES (EXCEPT AS NOTED)				H-J ENTERPRISES, INC. 3010 HIGH RIDGE BLVD. HIGH RIDGE, MO. 63049 USA PHONE 1-636-677-3421 FAX 1-636-376-1915	
DECIMAL	± .04"/1mm			4 HOLE METRIC SPADE AND 1 5/8"-12 STUD ASSEMBLY	
FRACTIONAL	±	MATERIAL (SEE ABOVE)		CHK'D	APP'D
ANGULAR	± 2°	DRAWING NO. MAS0007-003		DATE 3-12-01	SCALE N.T.S.