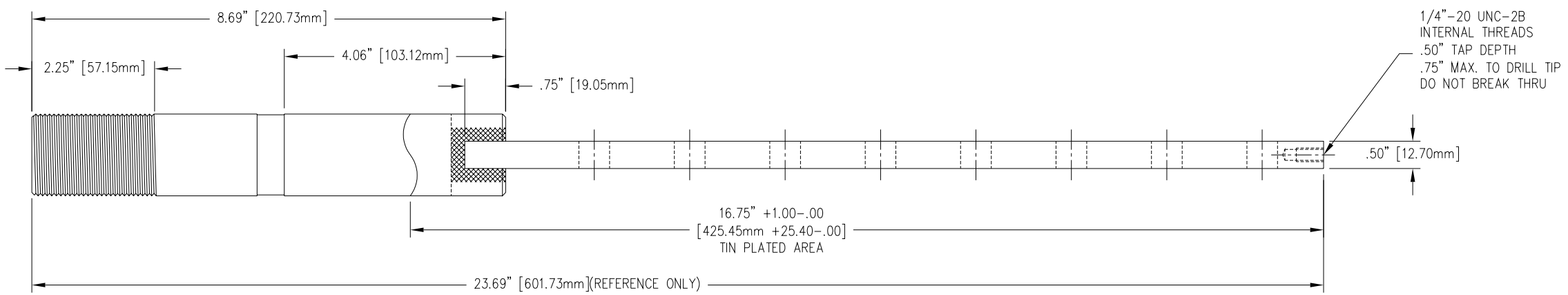
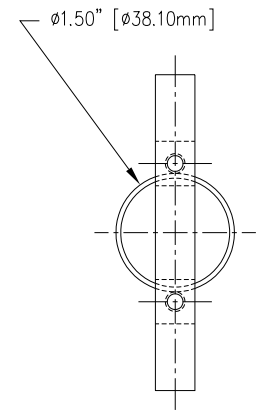
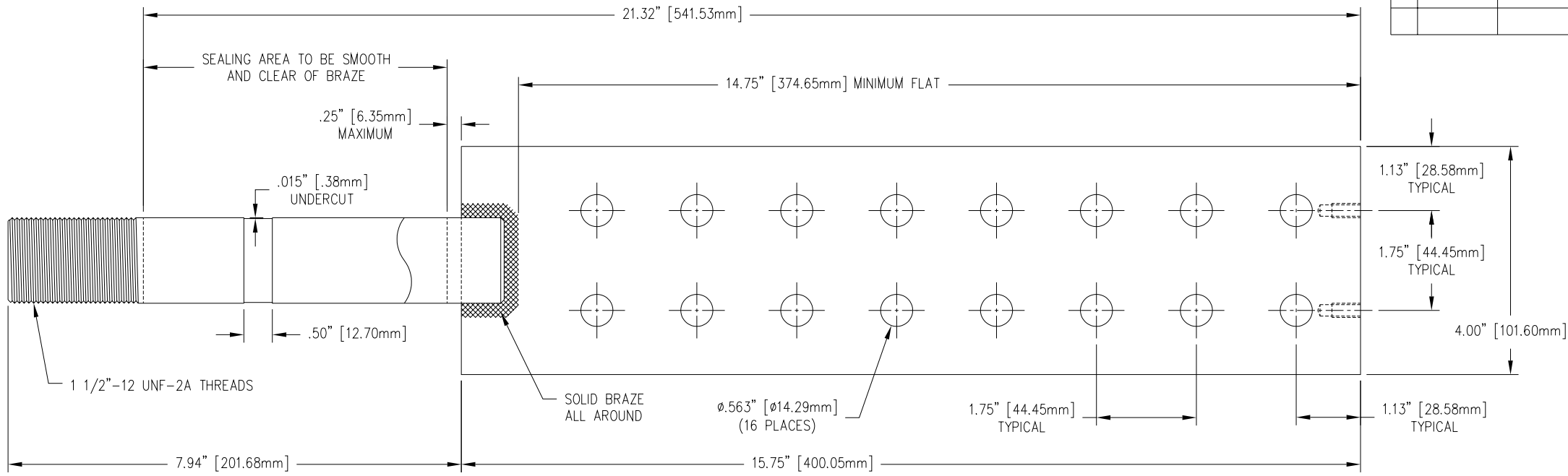


REVISIONS					
NO.	DATE	ECN #	REMARKS	BY	APPD.



NOTE:  
BRAZE MAY EXTEND INTO SEALING AREA UP TO .125"  
IF OVERALL HEIGHT DOES NOT EXCEED .020".

TOLERANCES (EXCEPT AS NOTED)	DECIMAL	H-J ENTERPRISES, INC.		
	.XX = ±.050"	3010 HIGH RIDGE BLVD. HIGH RIDGE, MO. 63049 USA		
	.XXX = ±.010"	PHONE 1-636-677-3421 FAX 1-636-376-1915		
ANGULAR	± 2°	FABRICATED STUD AND SPADE ASSEMBLY		
		MATERIAL	CHK'D	APP'D
		COPPER CDA 110 TIN PLATED		
			DRAWN BY	DATE
			CJT	5-3-01
			SCALE	DRAWING NO.
			N.T.S.	F'S8013-001

