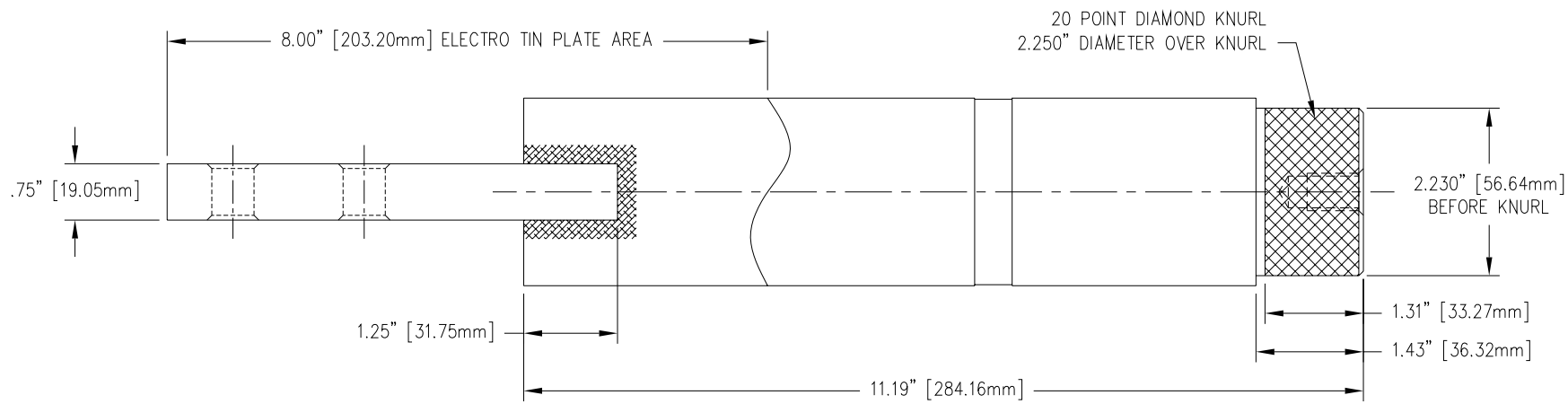
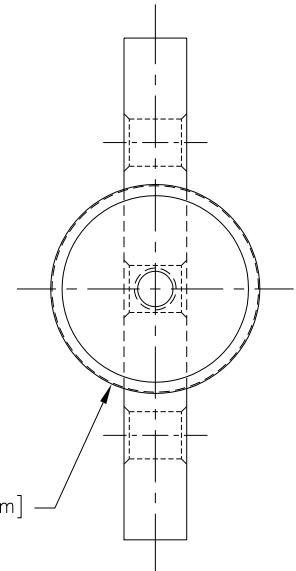
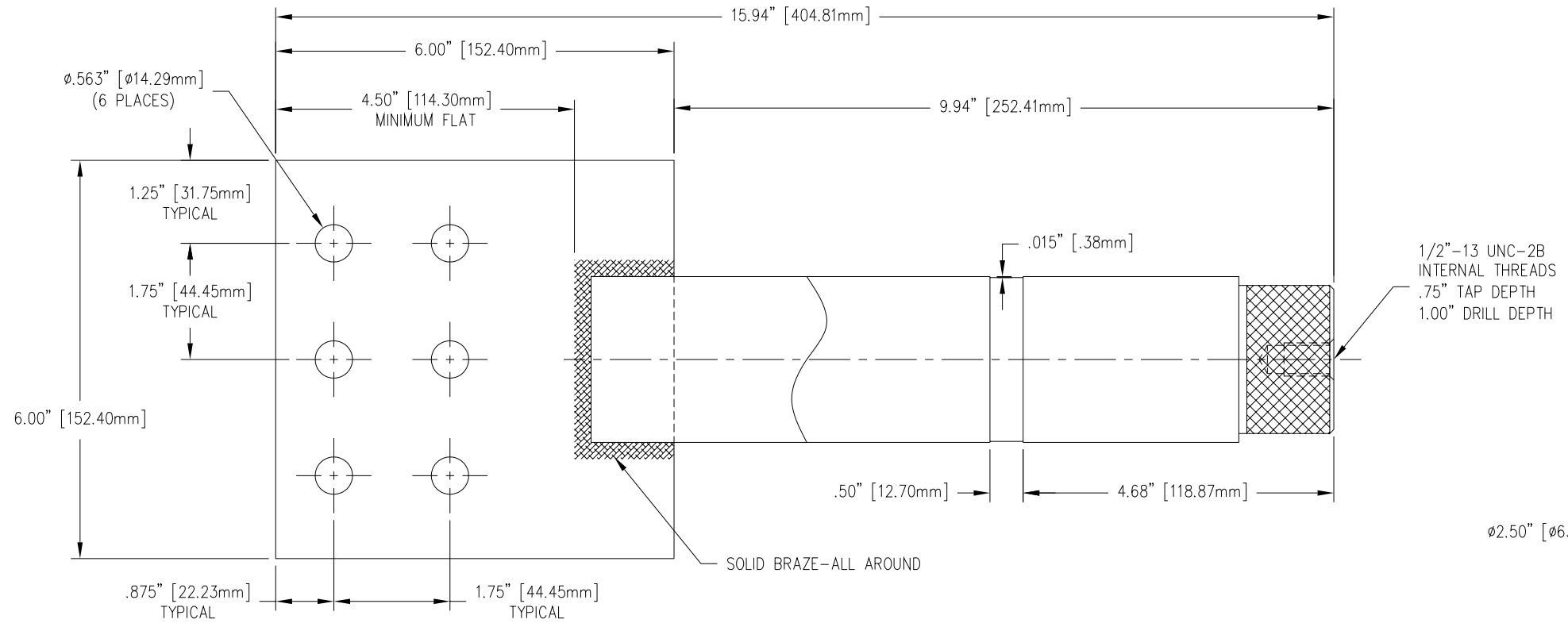


REVISIONS					
NO.	DATE	ECN #	REMARKS	BY	APPD.



TOLERANCES
(EXCEPT AS NOTED)

DECIMAL	.XX = ±.050"
	.XXX = ±.010"
ANGULAR	± 2°



H-J ENTERPRISES, INC.			
3010 HIGH RIDGE BLVD. HIGH RIDGE, MO. 63049 USA PHONE 1-636-677-3421 FAX 1-636-376-1915			
FABRICATED STUD AND SPADE ASSEMBLY			
MATERIAL COPPER CDA 110 TIN PLATED			
CHK'D	APP'D	DRAWING NO.	
DRAWN BY CJT	DATE 1-10-01	SCALE N.T.S.	FS8010-001