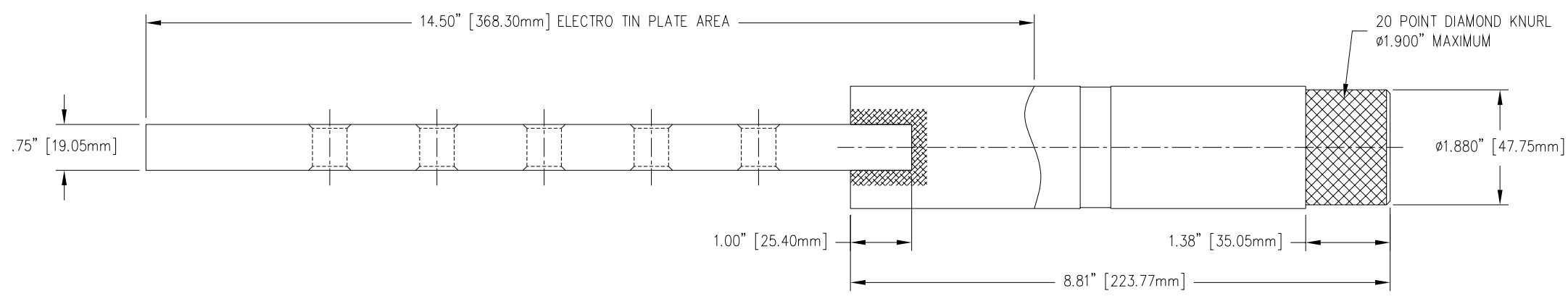
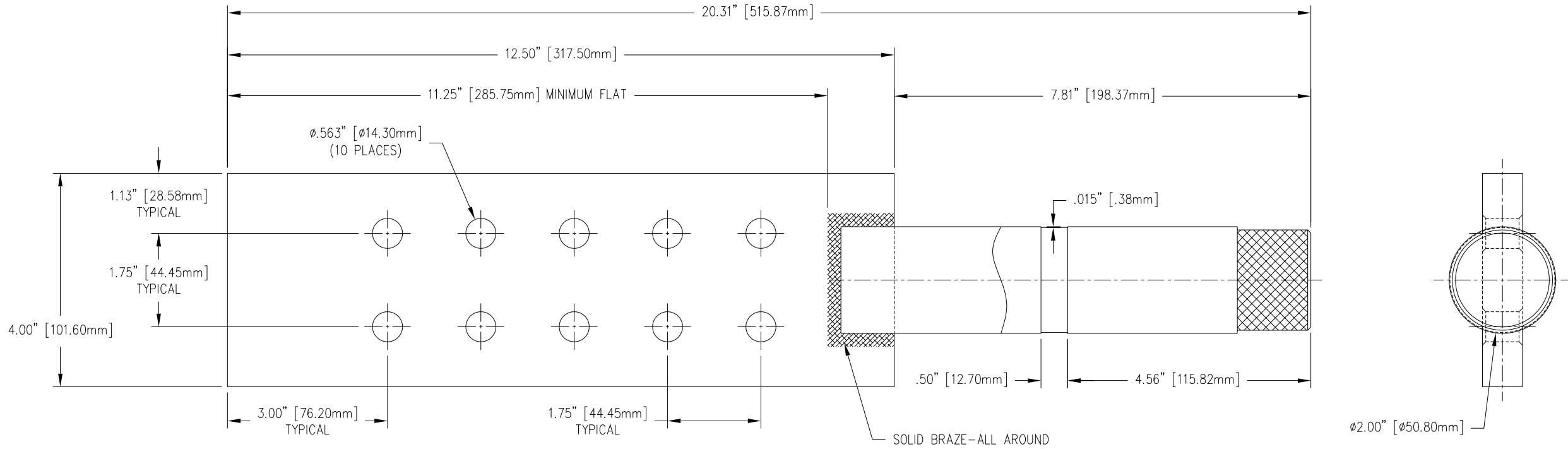


REVISIONS					
NO.	DATE	ECN #	REMARKS	BY	APPD.



TOLERANCES (EXCEPT AS NOTED)	
DECIMAL	.XX = $\pm .050$ " .XXX = $\pm .010$ "
ANGULAR	$\pm 2^\circ$



H-J ENTERPRISES, INC. 3010 HIGH RIDGE BLVD. HIGH RIDGE, MO. 63049 USA PHONE 1-636-677-3421 FAX 1-636-376-1915		
FABRICATED STUD AND SPADE ASSEMBLY		
MATERIAL COPPER CDA 110 TIN PLATED		
CHK'D	APP'D	DRAWING NO.
DRAWN BY CJT	DATE 11-16-00	SCALE N.T.S.
FS8007-001		