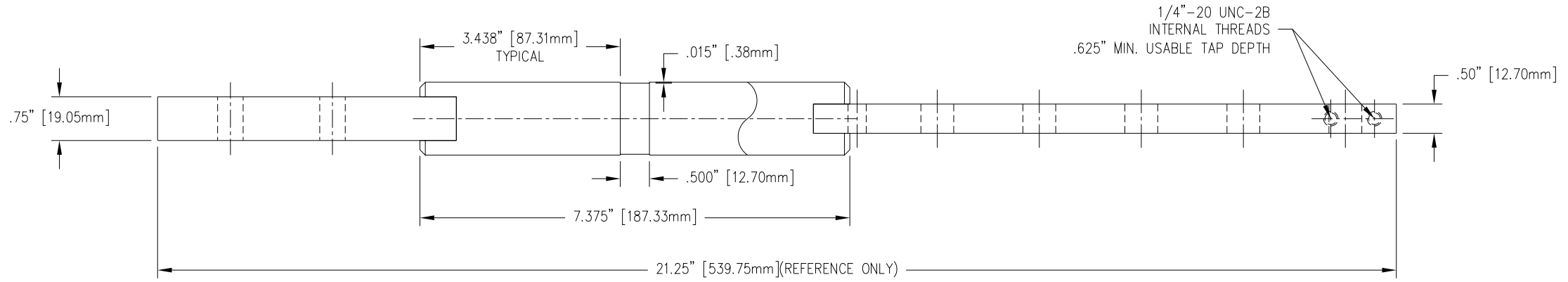
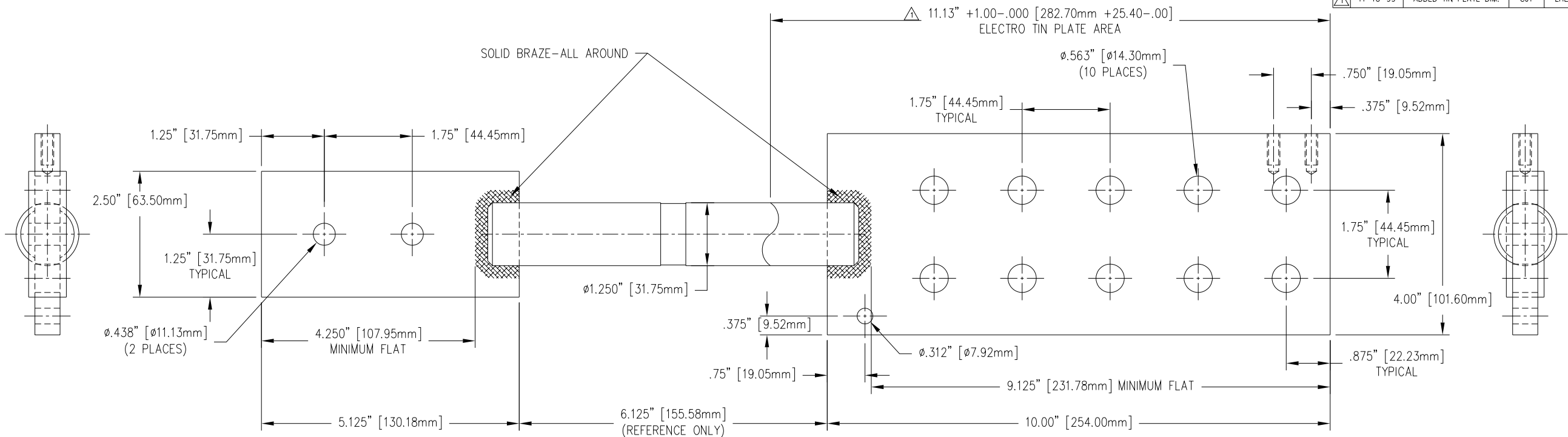


REVISIONS				
NO.	DATE	REMARKS	BY	APPD.
△	11-10-99	ADDED TIN PLATE DIM.	CJT	LHE



TOLERANCES (EXCEPT AS NOTED)
DECIMAL ± .032" / .8mm
FRACTIONAL ±
ANGULAR ± 2°



H-J ENTERPRISES, INC.	
3010 HIGH RIDGE BLVD, HIGH RIDGE, MO. 63049 USA PHONE 1-636-677-3421 FAX 1-636-376-1915	
FABRICATED STUD AND SPADE ASSEMBLY	
MATERIAL COPPER CDA 110 TIN PLATED	
CHK'D	APP'D
DRAWING NO. FS8002-001	
DRAWN BY CJT	DATE 9-22-99
SCALE N.T.S.	