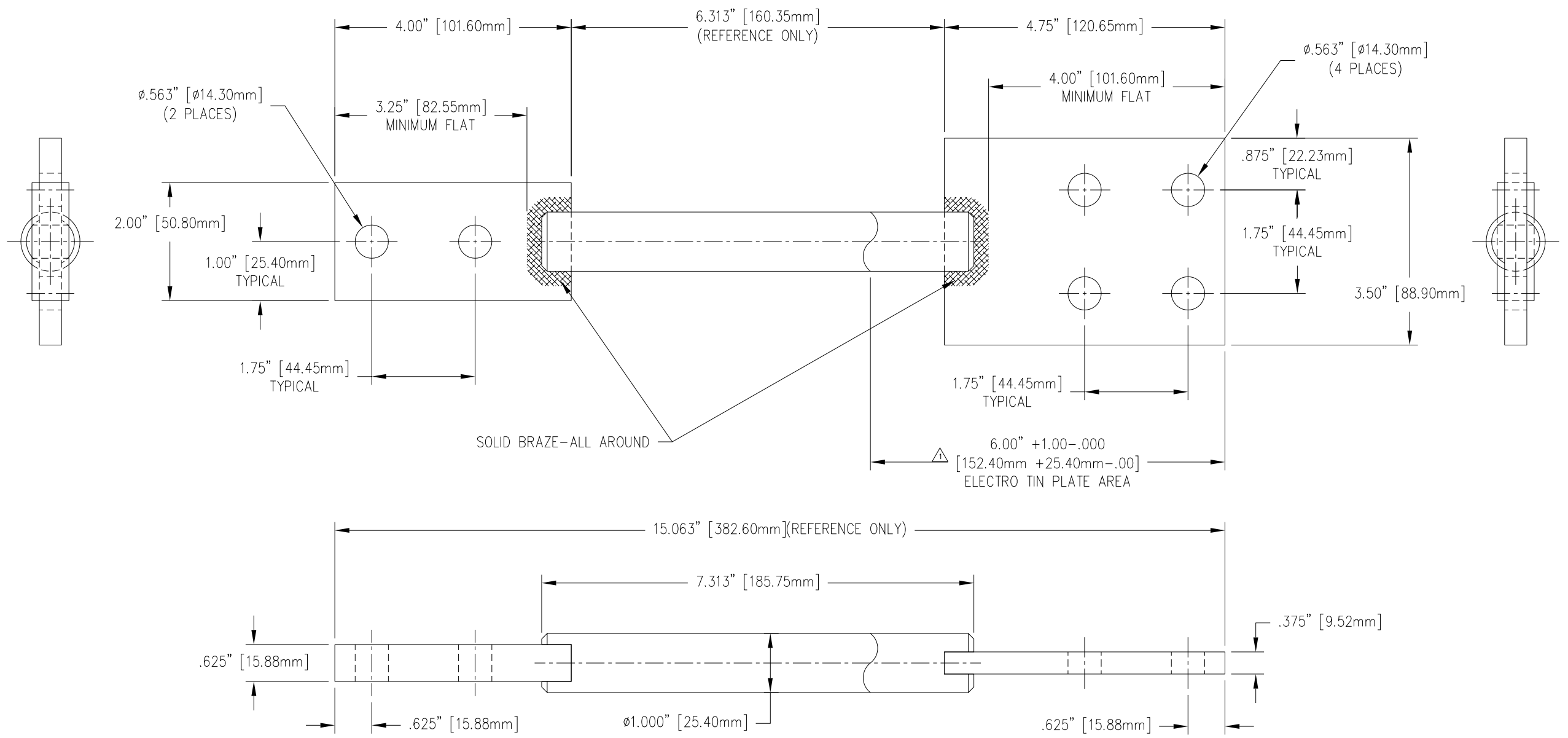


REVISIONS				
NO.	DATE	REMARKS	BY	APPD.
△	11-10-99	ADDED TIN PLATE DIM.	CJT	LHE



TOLERANCES (EXCEPT AS NOTED) DECIMAL $\pm .032" / .8mm$ FRACTIONAL \pm ANGULAR $\pm 2^\circ$		H-J ENTERPRISES, INC. 3010 HIGH RIDGE BLVD. HIGH RIDGE, MO. 63049 USA PHONE 1-636-677-3421 FAX 1-636-376-1915		
		FABRICATED STUD AND SPADE ASSEMBLY		
		MATERIAL COPPER CDA 110 TIN PLATED		
		CHK'D APP'D DRAWING NO.	CHK'D APP'D DRAWING NO.	CHK'D APP'D DRAWING NO.
DRAWN BY CJT	DATE 9-21-99	SCALE N.T.S.	DRAWING NO. FS8001-001	