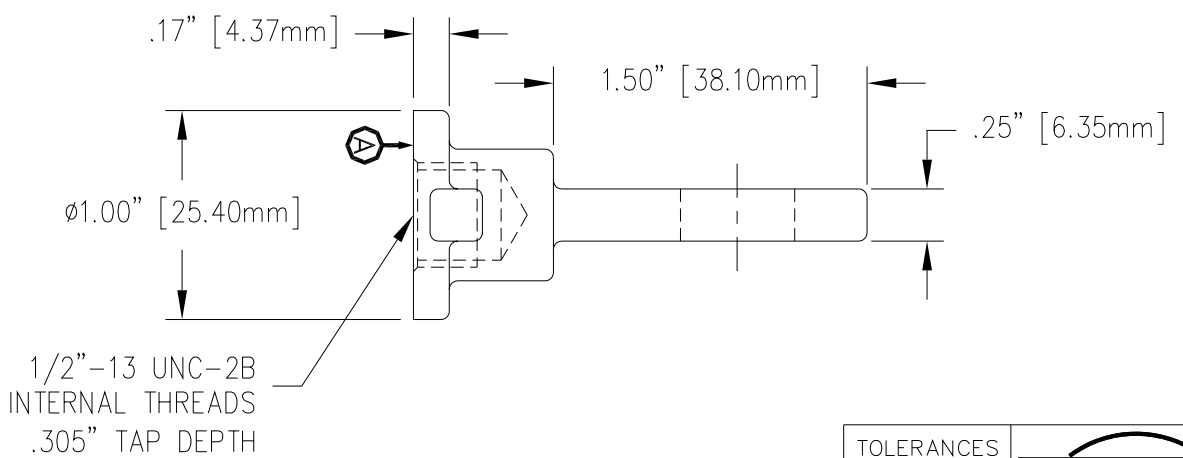


REVISIONS					
NO.	DATE	ECN #	REMARKS	BY	APPD.




COMPONENTS:
 STUD = ST-4001-09
 SPADE = SP-3057-02

MATERIAL:
 STUD - COPPER CDA 110
 SPADE - CDA 844 TIN PLATED

NOTE:
 BOTTOM VIEW SHOWN
 WITHOUT STUD FOR DETAIL.

NOTE:
 FULL THREAD FROM SURFACE 
 TO THE DEPTH SPECIFIED IN THE TAP NOTE.

TOLERANCES (EXCEPT AS NOTED)				H-J ENTERPRISES, INC. 3010 HIGH RIDGE BLVD. HIGH RIDGE, MO. 63049 USA PHONE 1-636-677-3421 FAX 1-636-376-1915	
DECIMAL	± .032" / .8mm			50 KVA 1 HOLE SPADE AND STUD HARDWARE ASSEMBLY	
FRACTIONAL	±			MATERIAL	SEE DRAWING
ANGULAR	± 2°	CHK'D	APP'D	DRAWING NO.	
DRAWN BY CJT		DATE 2-25-02	SCALE N.T.S.	AS1256-003	