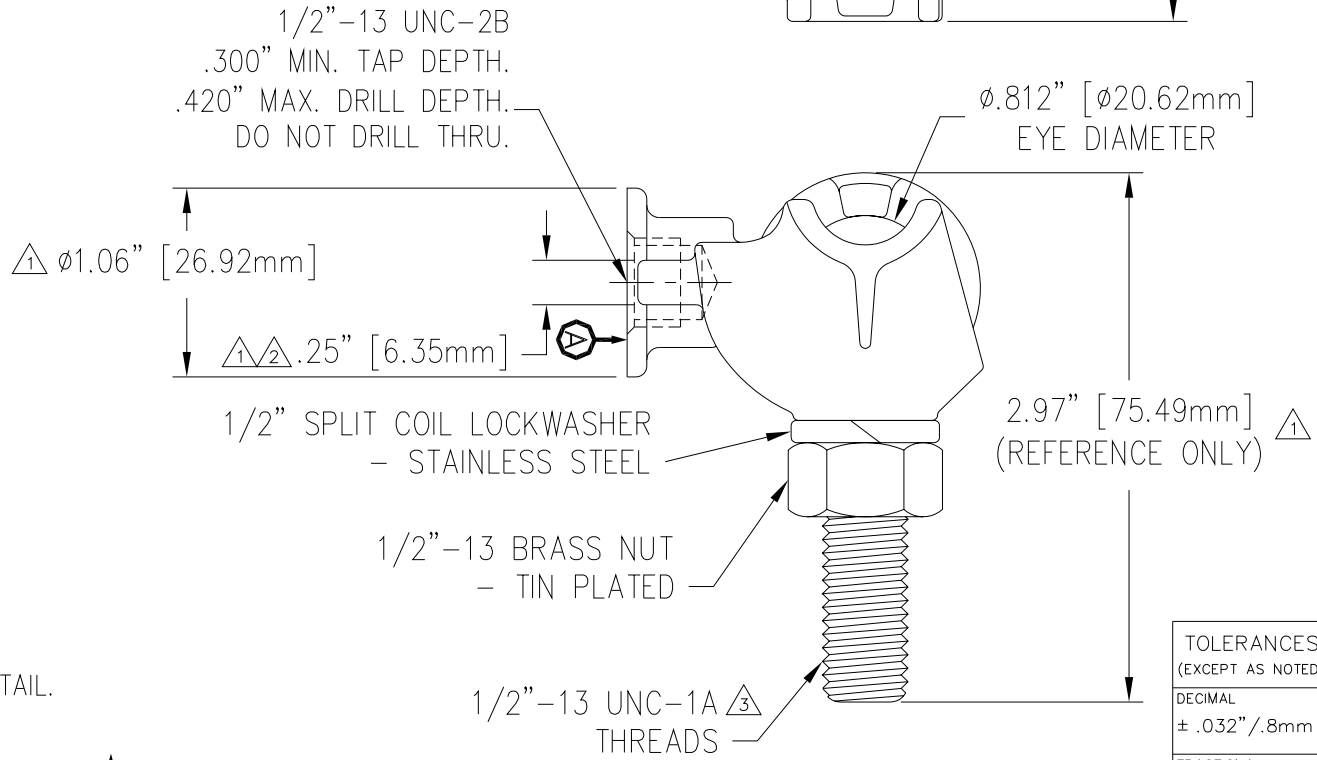
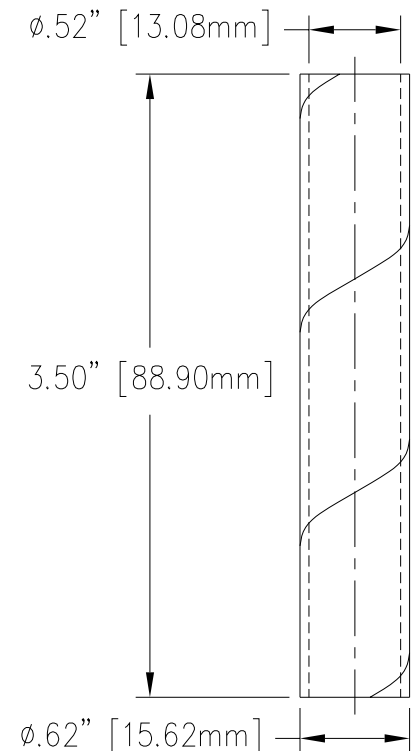
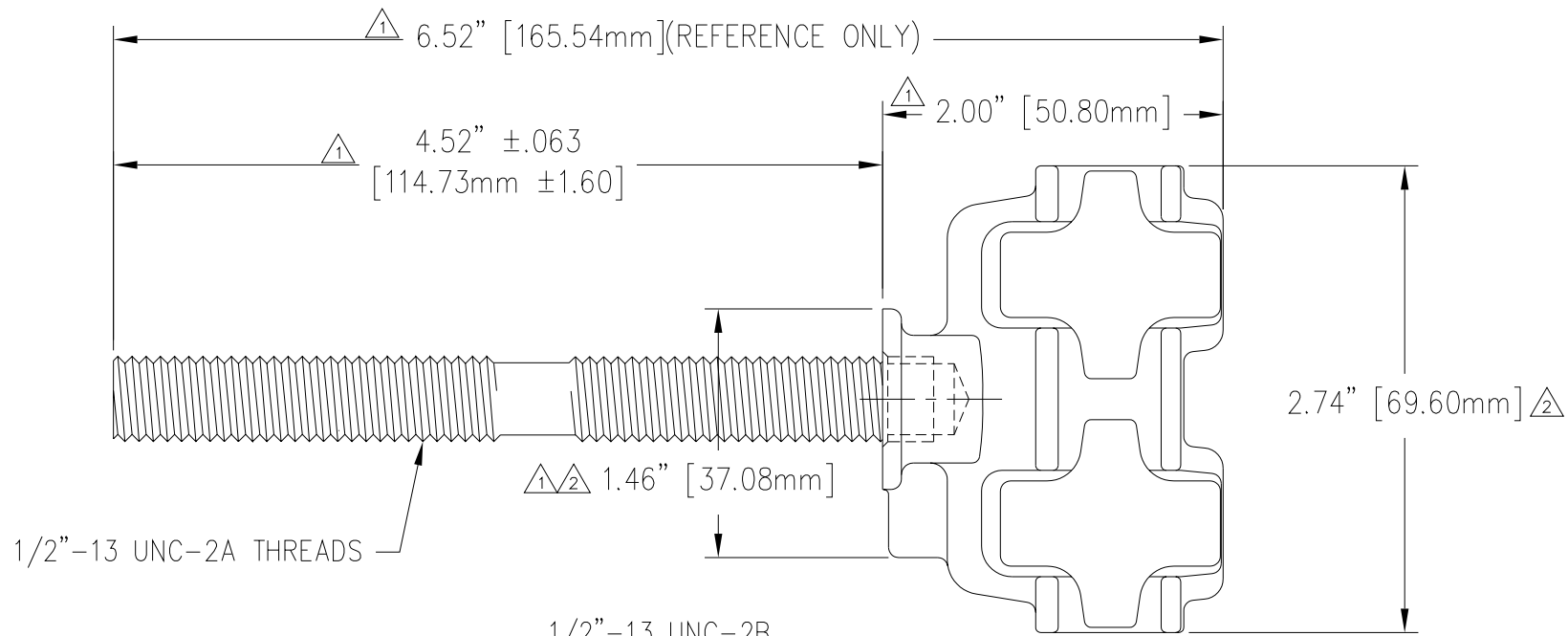


REVISIONS					
NO.	DATE	ECN #	REMARKS	BY	APPD.
1	6-14-00		EDITED DIM: 1.00" TO 1.06" AND ADDED DIMENSIONS.	CJT	LHE
2	8-22-01	HJ01-160	REDREW TERMINAL BODY AND REVISED DIMENSIONS.	CJT	LHE
3	2-21-02	HJ02-002	CHANGED THREAD CALLOUT FROM 2A TO 1A.	CJT	LHE



COMPONENTS:
 STUD = ST-4001-03
 TERMINAL = TB-2061-01
 EYEBOLT = EB-7013-01

MATERIAL:
 STUD - COPPER CDA 110
 TERMINAL - CDA 844 TIN PLATED
 EYEBOLT - CDA 955 TIN PLATED

NOTE:
 BOTTOM VIEW SHOWN
 WITHOUT STUD FOR DETAIL.

NOTE:
 FULL THREAD FROM SURFACE TO THE DEPTH SPECIFIED IN THE TAP NOTE.

TOLERANCES (EXCEPT AS NOTED)				H-J ENTERPRISES, INC. 3010 HIGH RIDGE BLVD. HIGH RIDGE, MO. 63049 USA PHONE 1-636-677-3421 FAX 1-636-376-1915	
DECIMAL	± .032 / .8mm			50 KVA L.V. DOUBLE EYEBOLT HARDWARE ASSEMBLY	
FRACTIONAL	±			MATERIAL (SEE DRAWING)	
ANGULAR	± 2°	CHK'D	APP'D	DRAWING NO.	
		DRAWN BY	DATE	SCALE	AS1154-001
		CJT	11-17-98	N.T.S.	