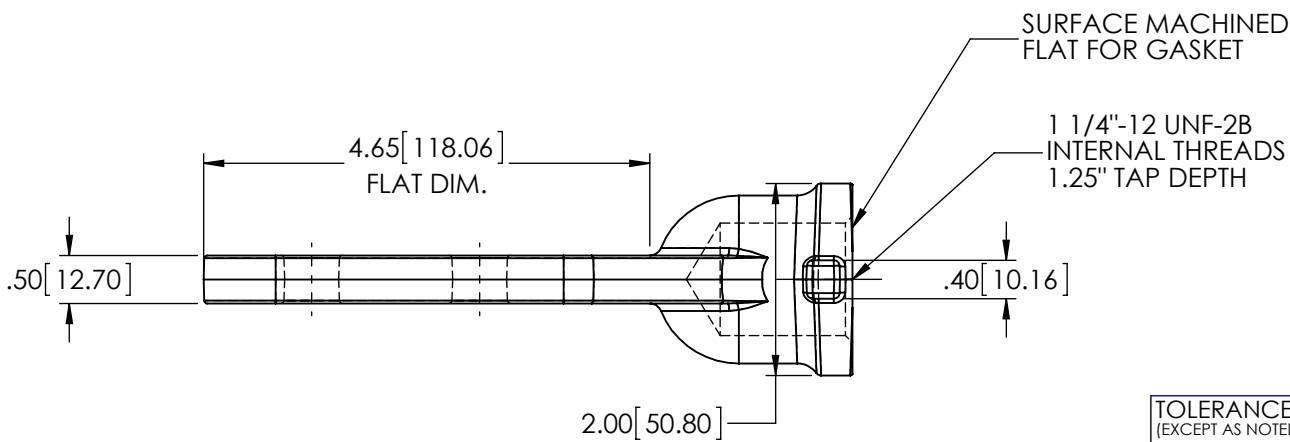
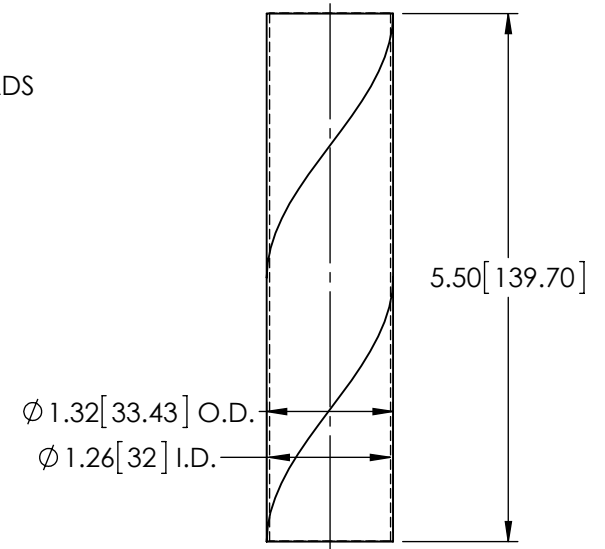
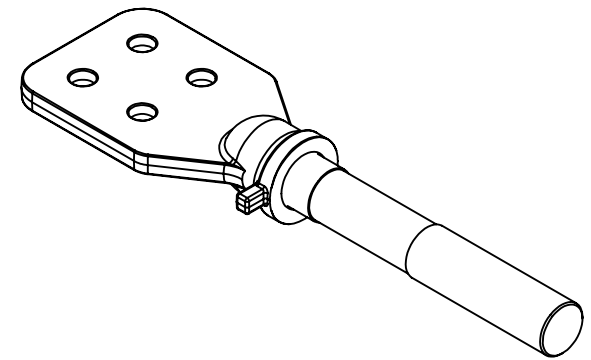
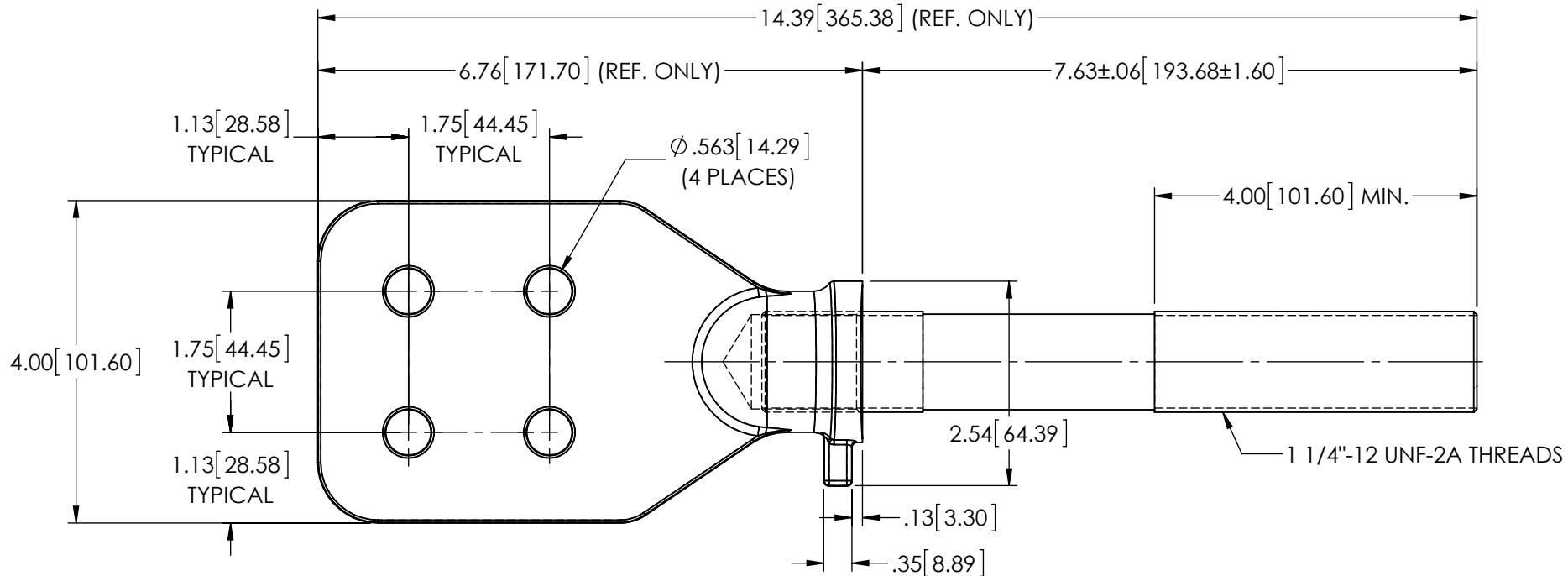


REVISIONS					
REV.	DATE	ECN #	DESCRIPTION	BY	APPROVED



MATERIAL:
 SPADE - C84400, TIN PLATED
 STUD - COPPER C11000

PROPRIETARY AND CONFIDENTIAL
 THE INFORMATION CONTAINED IN THIS DRAWING IS THE SOLE PROPERTY OF H-J ENTERPRISES, INC. ANY REPRODUCTION IN PART OR AS A WHOLE WITHOUT THE WRITTEN PERMISSION OF H-J ENTERPRISES, INC. IS PROHIBITED.

TOLERANCES (EXCEPT AS NOTED)	
DECIMAL	± .032" [.8mm]
FRACTIONAL	±
ANGULAR	± 2°



H-J ENTERPRISES, INC.
 3010 HIGH RIDGE BLVD. HIGH RIDGE, MO. 63049 USA
 PHONE 1-636-677-3421 FAX 1-636-376-1915

4 HOLE SPADE & STUD ASSEMBLY

MATERIAL	(SEE DRAWING)		DRAWING NO.
CHK'D	SMM	APP'D 3-21-12	AS1122-004
DATE	CMH	SCALE N.T.S.	