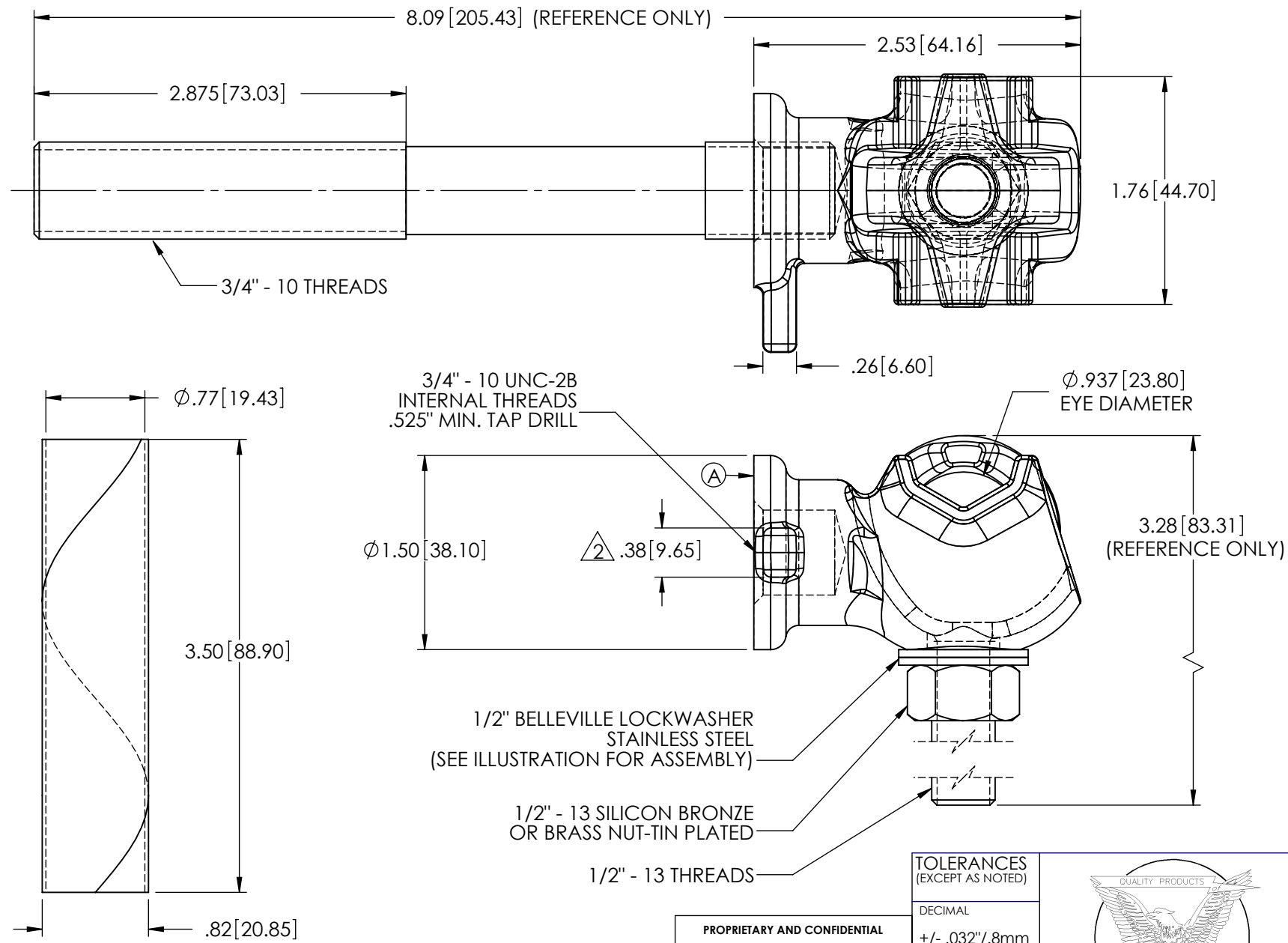


REVISIONS					
REV.	DATE	ECN #	DESCRIPTION	BY	APPROVED
1	3-9-04	HJ04-050	ADDED A NOTE	JRM	SP
2	9-9-10	HJ10-100	CHANGED .37" TO .38"	CMH	JFS



NOTE:  
 1. FULL THREAD FROM SURFACE <sup>Ⓐ</sup> TO THE DEPTH SPECIFIED IN THE TAP NOTE  
 2. MINIMUM BACKOUT TORQUE - 85 FT. LBS

MATERIAL:  
 STUD - COPPER C11000  
 TERMINAL BODY - C84400 TIN PLATED  
 EYEBOLT - C95500 TIN PLATED

THREAD PROTECTOR

**PROPRIETARY AND CONFIDENTIAL**  
 THE INFORMATION CONTAINED IN THIS DRAWING IS THE SOLE PROPERTY OF H-J ENTERPRISES, INC. ANY REPRODUCTION IN PART OR AS A WHOLE WITHOUT THE WRITTEN PERMISSION OF H-J ENTERPRISES, INC. IS PROHIBITED.

TOLERANCES (EXCEPT AS NOTED)	
DECIMAL	+/- .032"/.8mm
FRACTIONAL	+/-
ANGULAR	+/- 2 Degrees



H - J ENTERPRISES, INC.  
 3010 HIGH RIDGE BLVD. HIGH RIDGE, MO. 63049 USA  
 PHONE 1-636-677-3421 FAX 1-636-376-1915

TERMINAL BODY, EYEBOLT, AND STUD ASSEMBLY

MATERIAL (SEE ABOVE)		
CHK'D	APP'D	DRAWING NO.
		AS1086-005
DRAWN BY	DATE	SCALE
CJT	10-8-98	N.T.S.