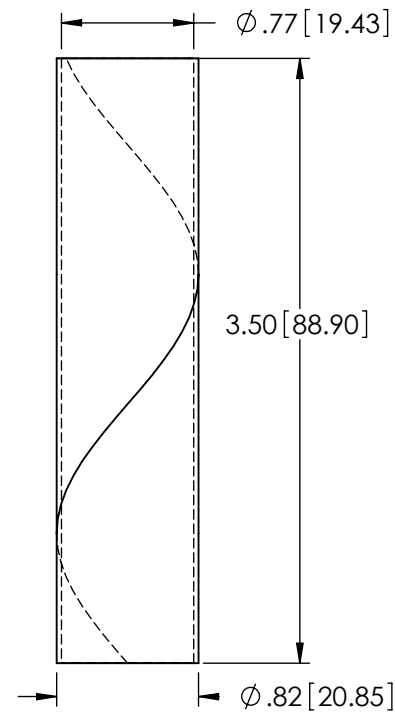
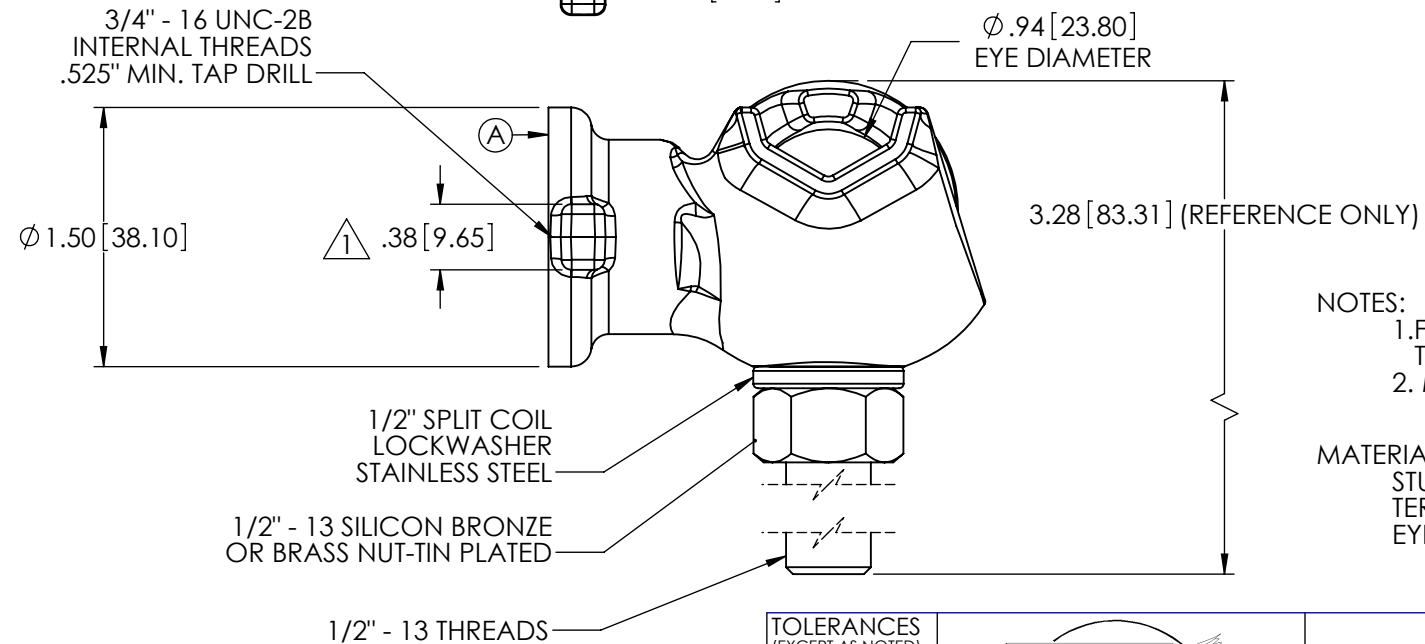
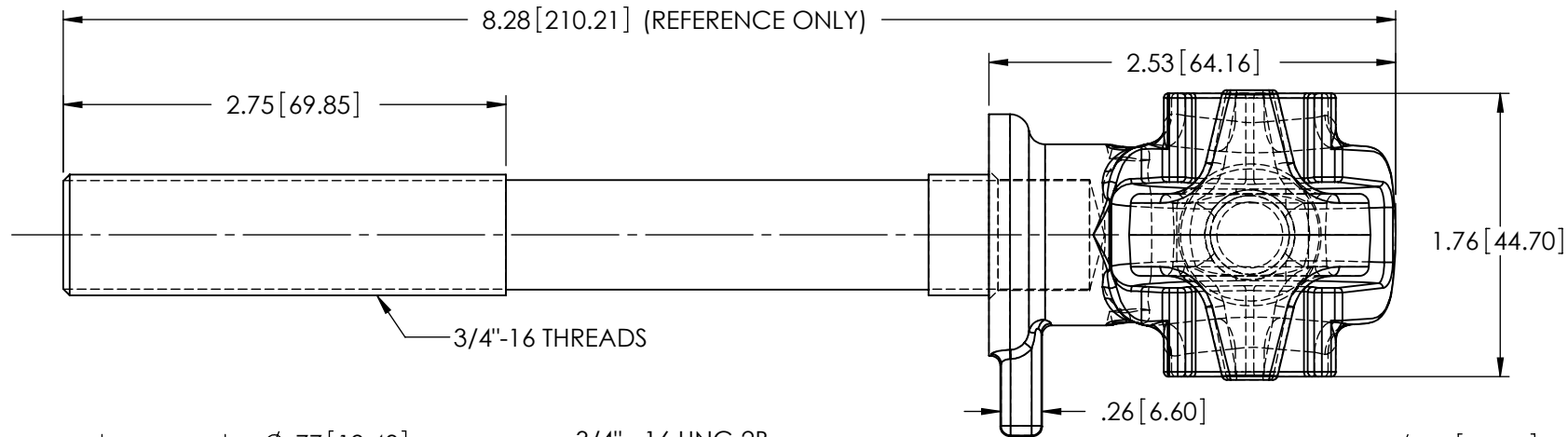


REVISIONS					
REV.	DATE	ECN #	DESCRIPTION	BY	APPROVED
1	9-13-10	HJ10-100	CHANGED .37" TO .38"	CMH	JFS



THREAD PROTECTOR

NOTES:  
 1. FULL THREAD FROM SURFACE <sup>(A)</sup> TO THE DEPTH SPECIFIED IN THE TAP NOTE  
 2. MINIMUM BACKOUT TORQUE - 85 FT. LBS

MATERIAL:  
 STUD - COPPER C11000  
 TERMINAL BODY - C84400 TIN PLATED  
 EYEBOLT - C95500 TIN PLATED

**PROPRIETARY AND CONFIDENTIAL**  
 THE INFORMATION CONTAINED IN THIS DRAWING IS THE SOLE PROPERTY OF H-J ENTERPRISES, INC. ANY REPRODUCTION IN PART OR AS A WHOLE WITHOUT THE WRITTEN PERMISSION OF H-J ENTERPRISES, INC. IS PROHIBITED.

TOLERANCES (EXCEPT AS NOTED)	
DECIMAL	+/- .032"/.8mm
FRACTIONAL	+/-
ANGULAR	+/- 2 Degrees



H - J ENTERPRISES, INC.  
 3010 HIGH RIDGE BLVD. HIGH RIDGE, MO. 63049 USA  
 PHONE 1-636-677-3421 FAX 1-636-376-1915

TERMINAL BODY, EYEBOLT, AND STUD ASSEMBLY

MATERIAL (SEE ABOVE)

CHK'D APP'D DRAWING NO.  
 SCALE N.T.S.

DRAWING NO.  
 AS1086-002

DRAWN BY CJT DATE 10-8-98