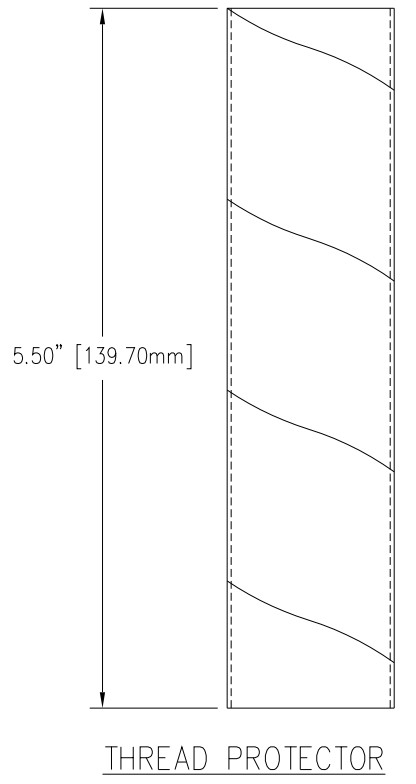
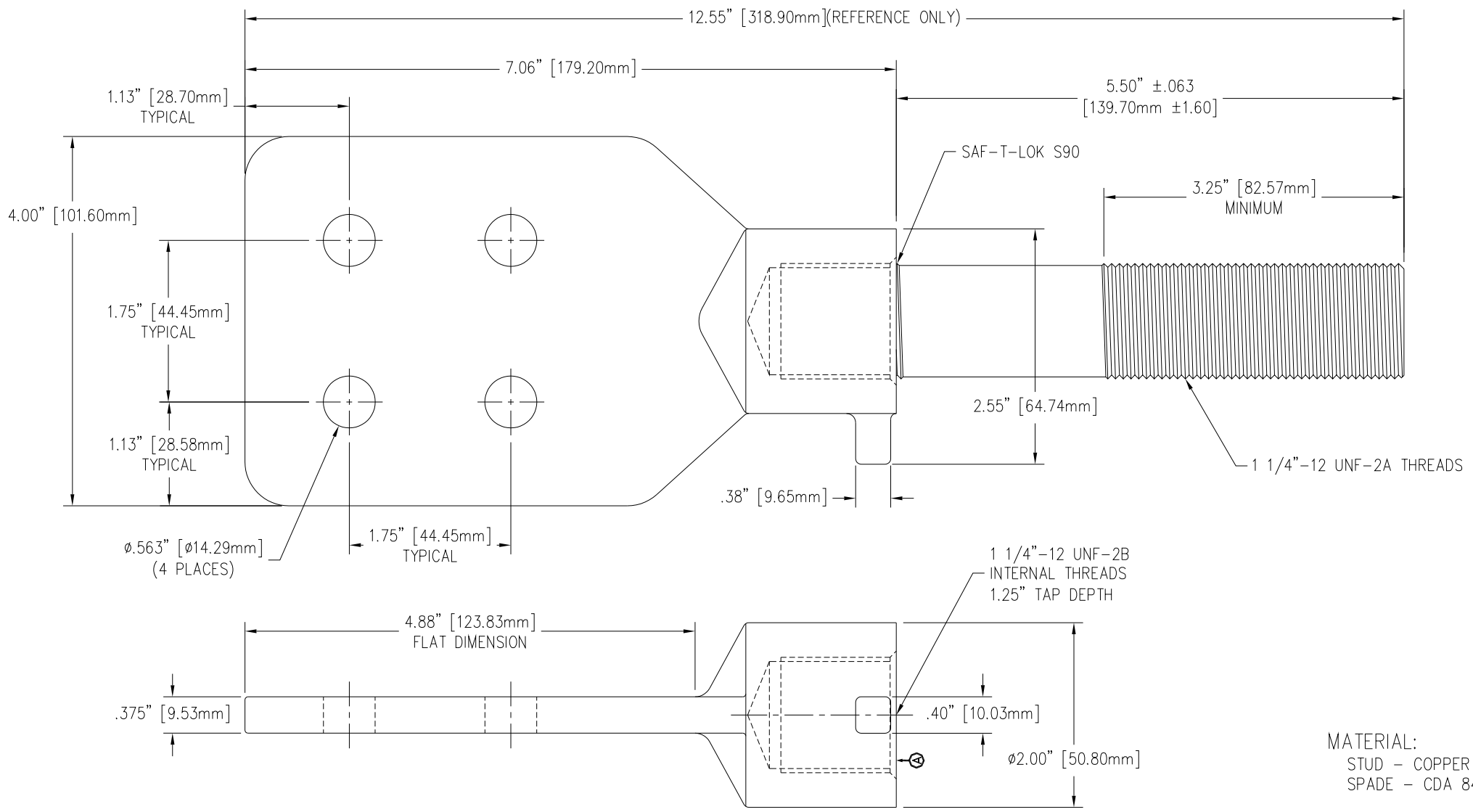


REVISIONS					
NO.	DATE	ECN #	REMARKS	BY	APPD.



MATERIAL:
 STUD - COPPER CDA 11000
 SPADE - CDA 84400 TIN PLATED

- NOTES:
- FULL THREAD FROM SURFACE $\text{\textcircled{A}}$ TO THE DEPTH SPECIFIED IN THE TAP NOTE.
 - BOTTOM VIEW SHOWN WITHOUT STUD FOR CLARITY.

TOLERANCES (EXCEPT AS NOTED) DECIMAL $\pm .032" / .8\text{mm}$ FRACTIONAL \pm ANGULAR $\pm \quad 2^\circ$		H-J ENTERPRISES, INC. 3010 HIGH RIDGE BLVD. HIGH RIDGE, MO. 63049 USA PHONE 1-636-677-3421 FAX 1-636-376-1915		
		SPADE & STUD ASSEMBLY		
		MATERIAL (SEE DRAWING)		
		CHK'D	APP'D	DRAWING NO.
DRAWN BY CJT	DATE 11-7-03	SCALE N.T.S.	AS1076-001	