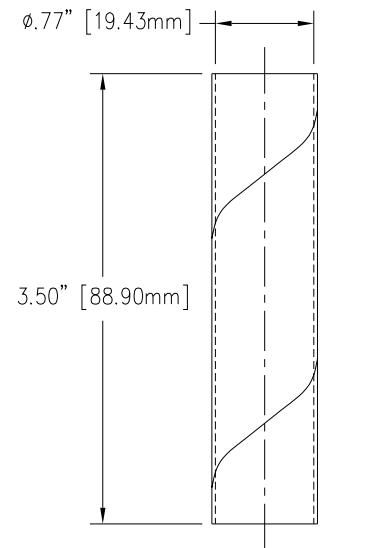
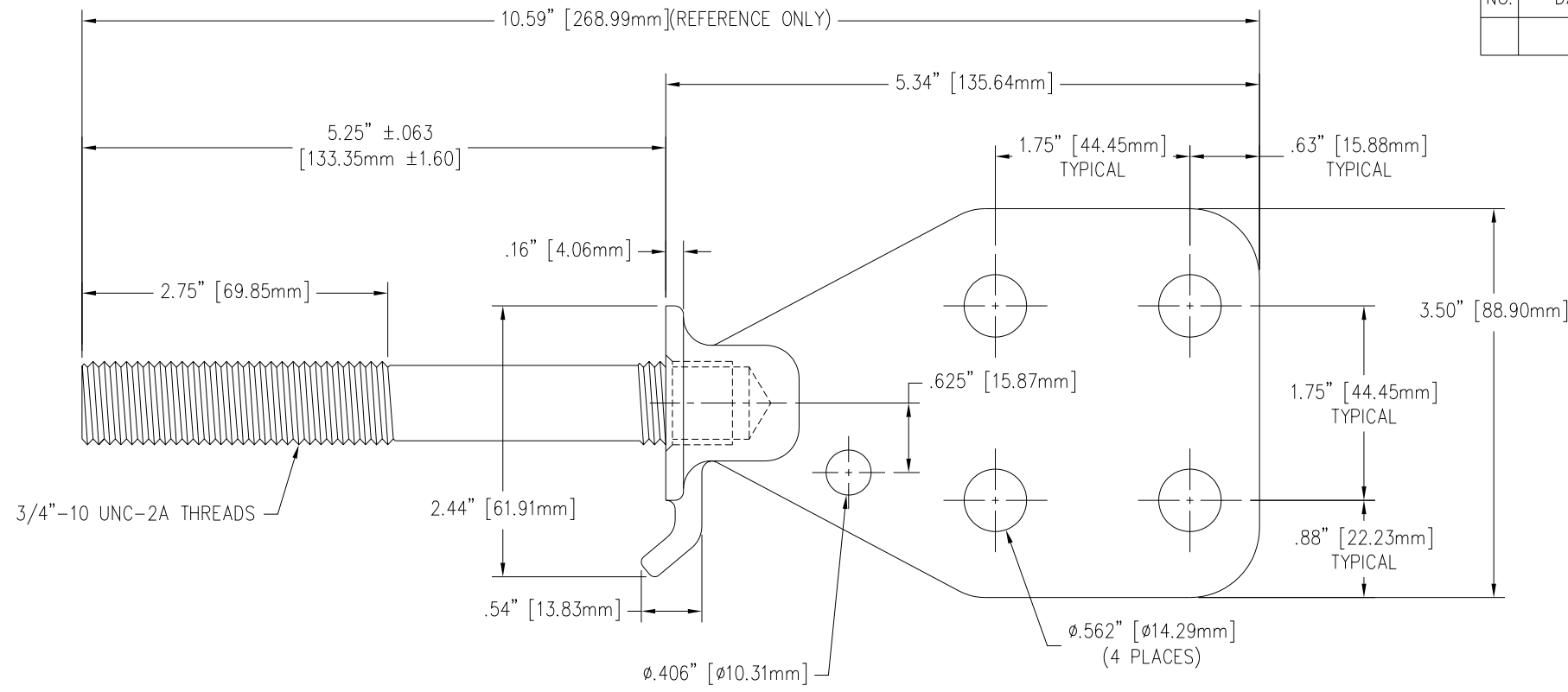
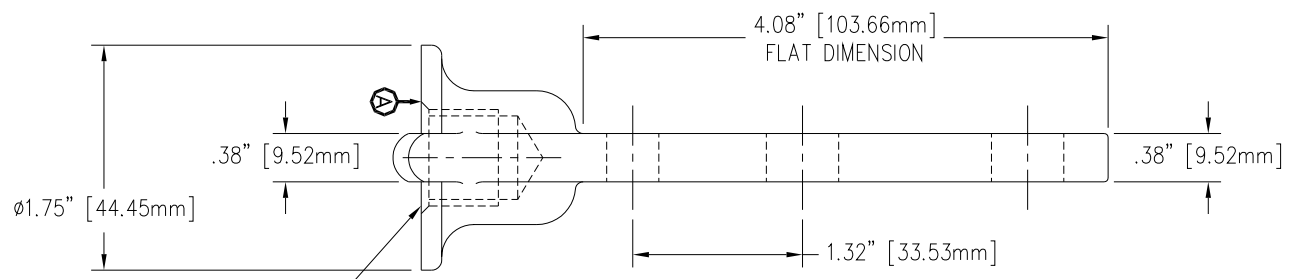


REVISIONS					
NO.	DATE	ECN #	REMARKS	BY	APPD.




THREAD PROTECTOR



MATERIAL:
 STUD - COPPER CDA 11000
 SPADE - CDA 84400 TIN PLATED

NOTE:
 BOTTOM VIEW SHOWN
 WITHOUT STUD FOR DETAIL.

NOTE:
 FULL THREAD FROM SURFACE 
 TO THE DEPTH SPECIFIED IN THE TAP NOTE.

TOLERANCES (EXCEPT AS NOTED) DECIMAL $\pm .032" / .8mm$ FRACTIONAL \pm ANGULAR $\pm 2^\circ$		H-J ENTERPRISES, INC. 3010 HIGH RIDGE BLVD. HIGH RIDGE, MO. 63049 USA PHONE 1-636-677-3421 FAX 1-636-376-1915	
		3/4"-10 STUD & SPADE ASSEMBLY	
		MATERIAL SEE DRAWING	
		CHK'D	APP'D
DRAWN BY CJT	DATE 11-21-03	SCALE N.T.S.	