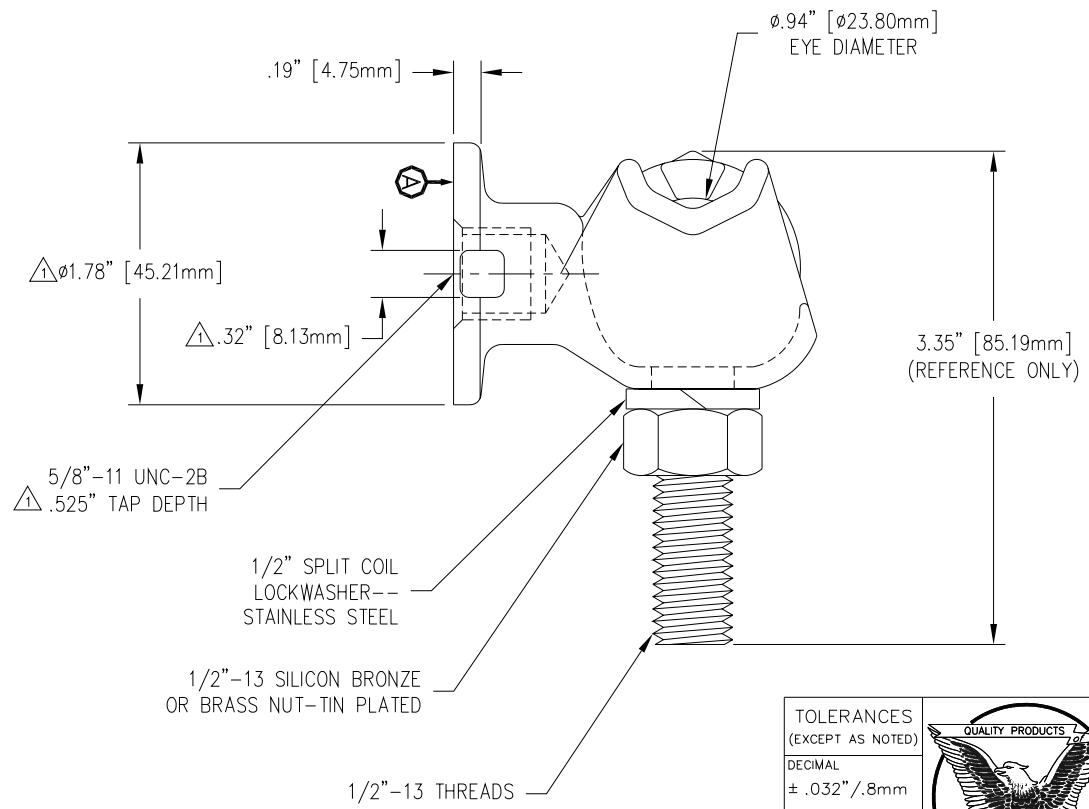
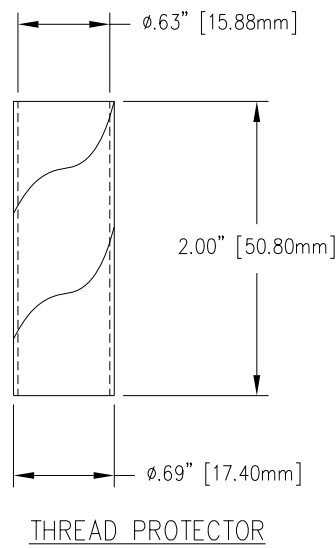
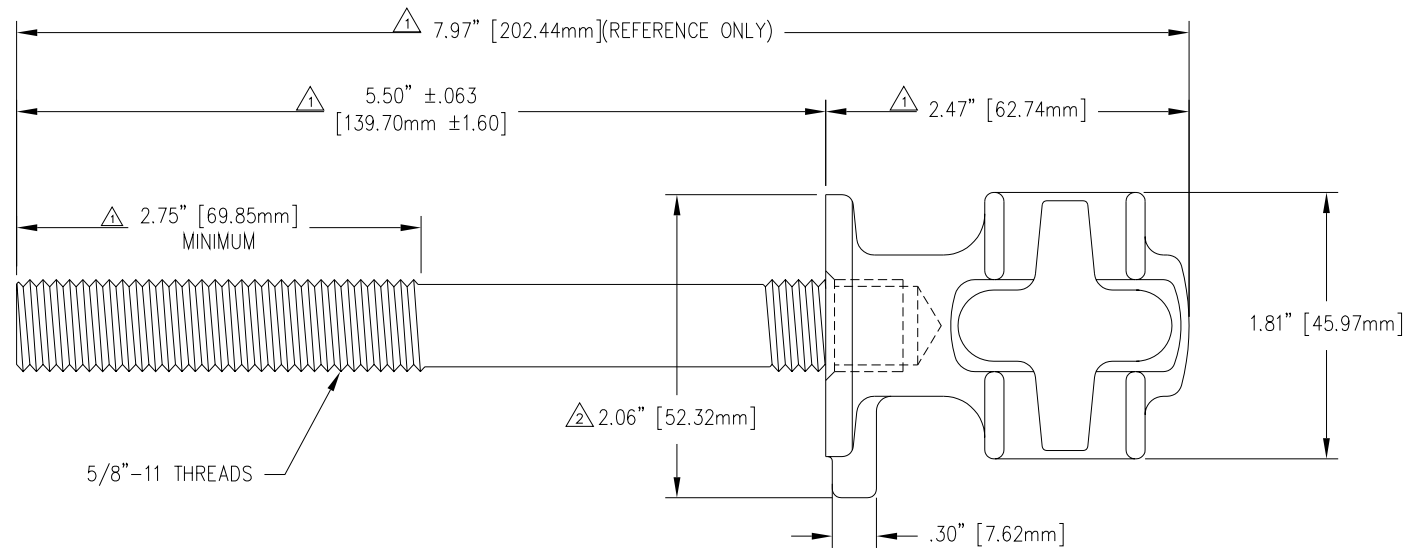



REVISIONS				
NO.	DATE	REMARKS	BY	APPD.
1	11-18-99	REDREW CAP, EDITED TAP DEPTH, EDITED & ADDED DIMS.	CJT	LHE



NOTES:
 BOTTOM VIEW SHOWN WITHOUT STUD FOR DIMENSIONING.
 MATERIAL:
 STUD - COPPER CDA 110
 BODY - CDA 844 TIN PLATED
 EYEBOLT - CDA 955 TIN PLATED

NOTE:
 FULL THREAD FROM SURFACE 
 TO THE DEPTH SPECIFIED IN THE TAP NOTE.

TOLERANCES (EXCEPT AS NOTED) DECIMAL $\pm .032'' / .8mm$ FRACTIONAL \pm ANGULAR $\pm 2^\circ$		H-J ENTERPRISES, INC. 3010 HIGH RIDGE BLVD. HIGH RIDGE, MO. 63049 USA PHONE 1-636-677-3421 FAX 1-636-376-1915	
		5/8"-11 X 6.125" STUD AND TERMINAL BODY ASSEMBLY	
		MATERIAL (SEE ABOVE)	
		CHK'D DATE 9-25-98	APP'D SCALE N.T.S.
DRAWN BY CJT	DATE 9-25-98	SCALE N.T.S.	DRAWING NO. AS1064-003