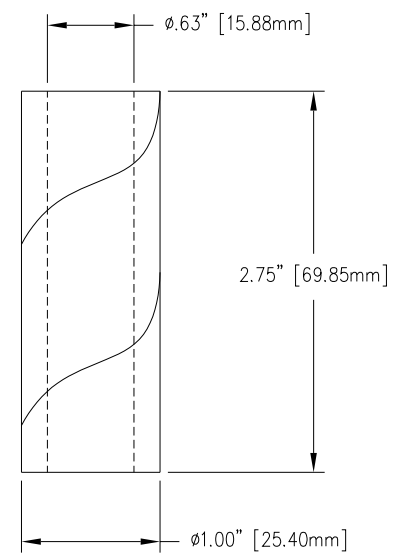
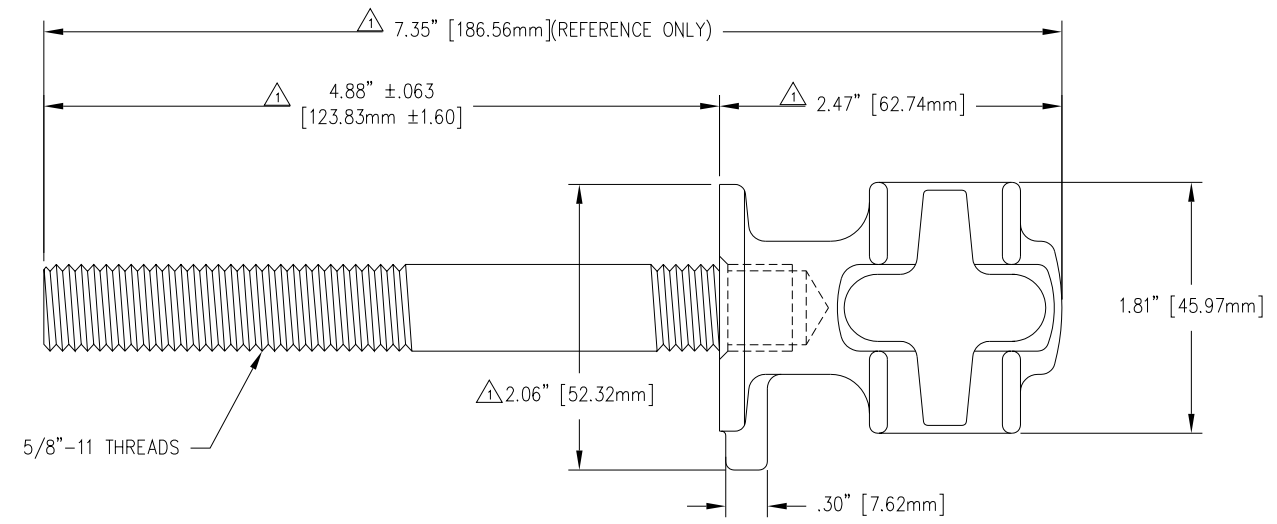
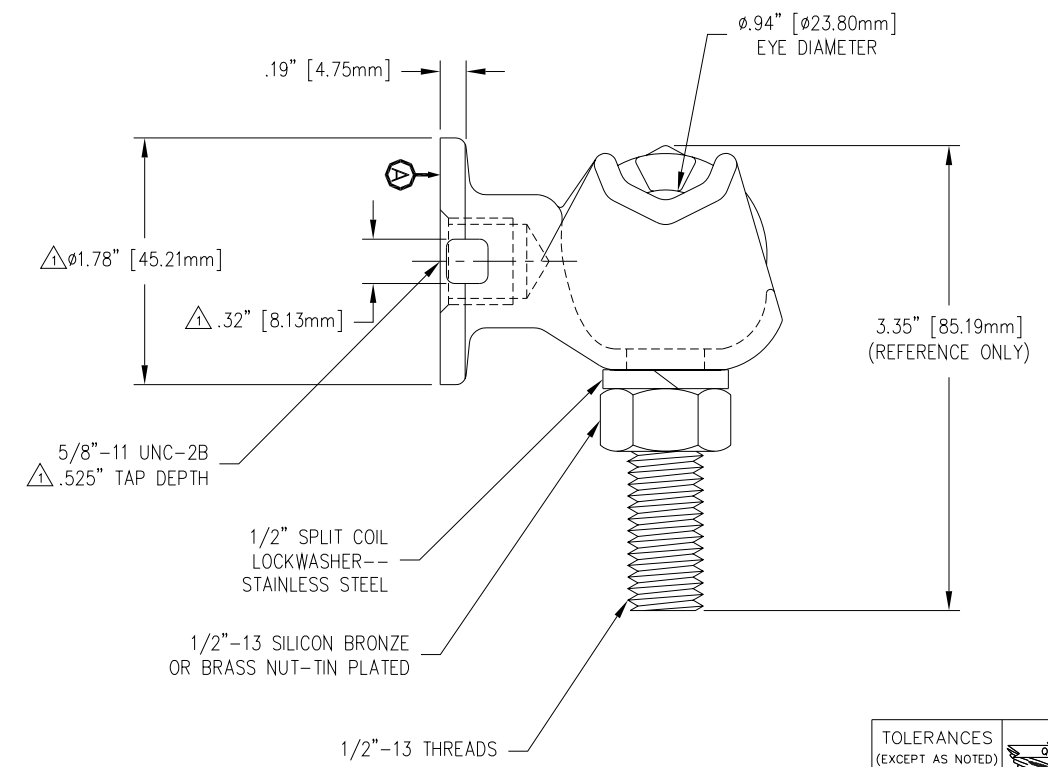


REVISIONS				
NO.	DATE	REMARKS	BY	APPD.
△	11-18-99	REDREW CAP, EDITED TAP, EDITED & ADDED DIMS.	CJT	LHE



THREAD PROTECTOR



5/8"-11 UNC-2B
△ .525" TAP DEPTH

1/2" SPLIT COIL
LOCKWASHER--
STAINLESS STEEL

1/2"-13 SILICON BRONZE
OR BRASS NUT-TIN PLATED

1/2"-13 THREADS

NOTES:
BOTTOM VIEW SHOWN WITHOUT
STUD FOR DIMENSIONING.

MATERIAL:
STUD - COPPER CDA 110
BODY - CDA 844 TIN PLATED
EYEBOLT - CDA 955 TIN PLATED

NOTE:
FULL THREAD FROM SURFACE
TO THE DEPTH SPECIFIED IN THE TAP NOTE.



TOLERANCES (EXCEPT AS NOTED)				H-J ENTERPRISES, INC. 3010 HIGH RIDGE BLVD. HIGH RIDGE, MO. 63049 USA PHONE 1-636-677-3421 FAX 1-636-376-1915	
DECIMAL	± .032" / .8mm			75 KVA, 5/8"-11 X 5.50" STUD AND TERMINAL BODY ASSEMBLY	
FRACTIONAL	±	MATERIAL (SEE ABOVE)		CHK'D	APP'D
ANGULAR	± 2°	DRAWN BY CJT	DATE 9-25-98	SCALE N.T.S.	DRAWING NO. AS1064-001