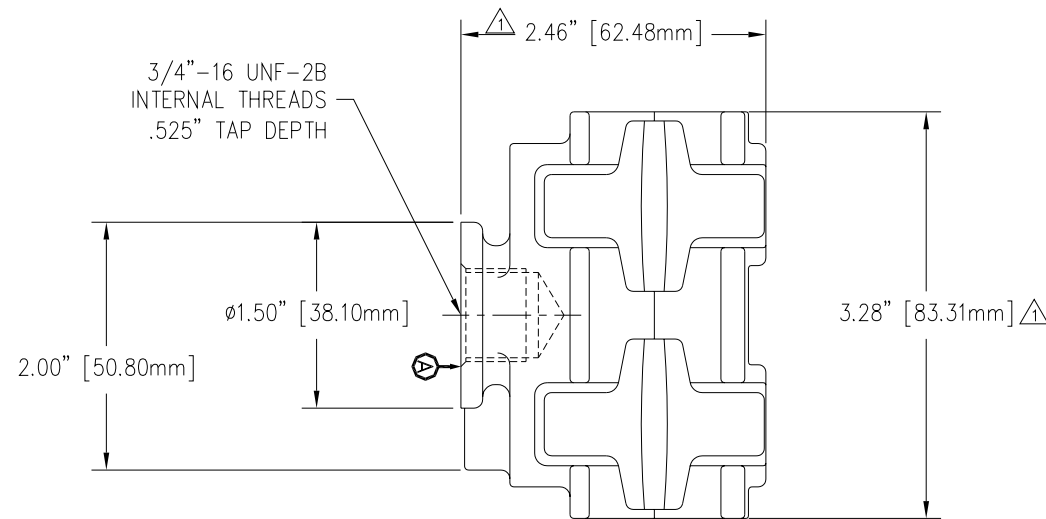
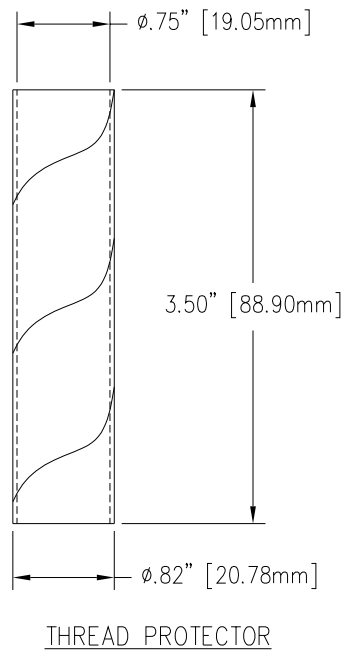
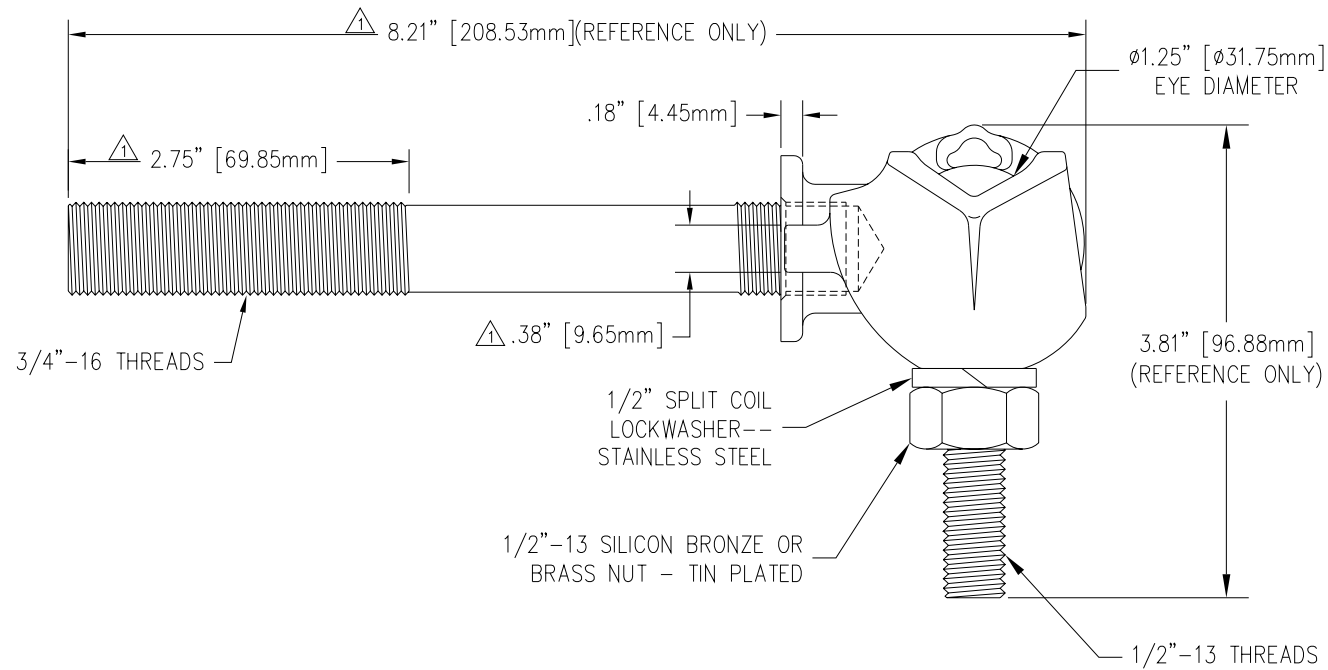


REVISIONS				
NO.	DATE	REMARKS	BY	APPD.
1	1-3-00	EDITED DIMENSIONS.	CJT	LHE



NOTE:
 1. FULL THREAD FROM SURFACE TO THE DEPTH SPECIFIED IN THE TAP NOTE.

2. BOTTOM VIEW SHOWN WITHOUT STUD FOR CLARITY.

MATERIAL:
 STUD - COPPER CDA 110
 BODY - CDA 844 TIN PLATED
 EYEBOLT - CDA 955 TIN PLATED

TOLERANCES (EXCEPT AS NOTED)	
DECIMAL	± .032" / .8mm
FRACTIONAL	±
ANGULAR	± 2°



H-J ENTERPRISES, INC.
 3010 HIGH RIDGE BLVD, HIGH RIDGE, MO. 63049 USA
 PHONE 1-636-677-3421 FAX 1-636-376-1915

100 KVA TERMINAL BODY, EYEBOLT,
 AND 3/4" 16 STUD ASSEMBLY

MATERIAL
 (SEE DRAWING)

CHK'D APP'D
 11-18-98 N.T.S.

DRAWING NO.
 AS1058-007

DRAWN BY
 CJT

DATE
 11-18-98

SCALE
 N.T.S.