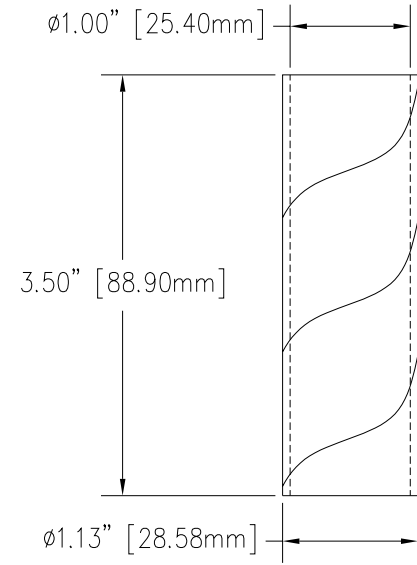


| REVISIONS | | | | | |
|-----------|---------|----------|--|-----|-------|
| NO. | DATE | ECN # | REMARKS | BY | APPD. |
| ① | 12-9-99 | | MODIFIED TAP NOTE. | CJT | LHE |
| ② | 3-21-02 | HJ02-045 | REVISED DIMENSIONS; .31" TO .25"/.68" TO .53" | CJT | LHE |



THREAD PROTECTOR

NOTE:
BOTTOM VIEW SHOWN WITHOUT
STUD FOR DIMENSIONING.

MATERIAL:
STUD - COPPER CDA 110.
BODY - CDA 844 TIN PLATED.
EYEBOLT - CDA 955 TIN PLATED

NOTE:
FULL THREAD FROM SURFACE 
TO THE DEPTH SPECIFIED IN THE TAP NOTE.

| |
|---------------------------------|
| TOLERANCES (EXCEPT AS NOTED) |
| DECIMAL ± .032"/.8mm |
| FRACTIONAL ± |
| ANGULAR ± 2° |



H-J ENTERPRISES, INC.
3010 HIGH RIDGE BLVD. HIGH RIDGE, MO. 63049 USA
PHONE 1-636-677-3421 FAX 1-636-376-1915

| | | |
|--|------------------|-----------------|
| 100 KVA DOUBLE BASKET HARDWARE ASSEMBLY | | |
| MATERIAL (SEE ABOVE) | | |
| CHK'D | APP'D | DRAWING NO. |
| DRAWN BY CJT | DATE 10-22-98 | SCALE N.T.S. |
| AS1058-005 | | |