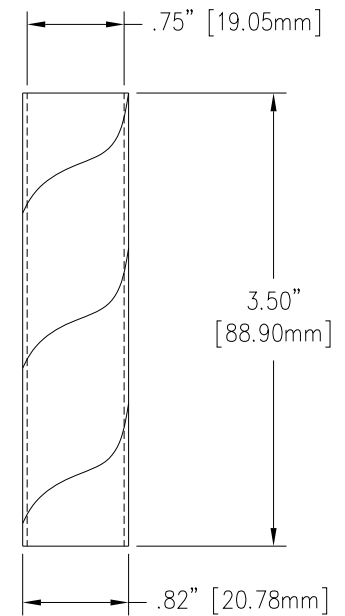
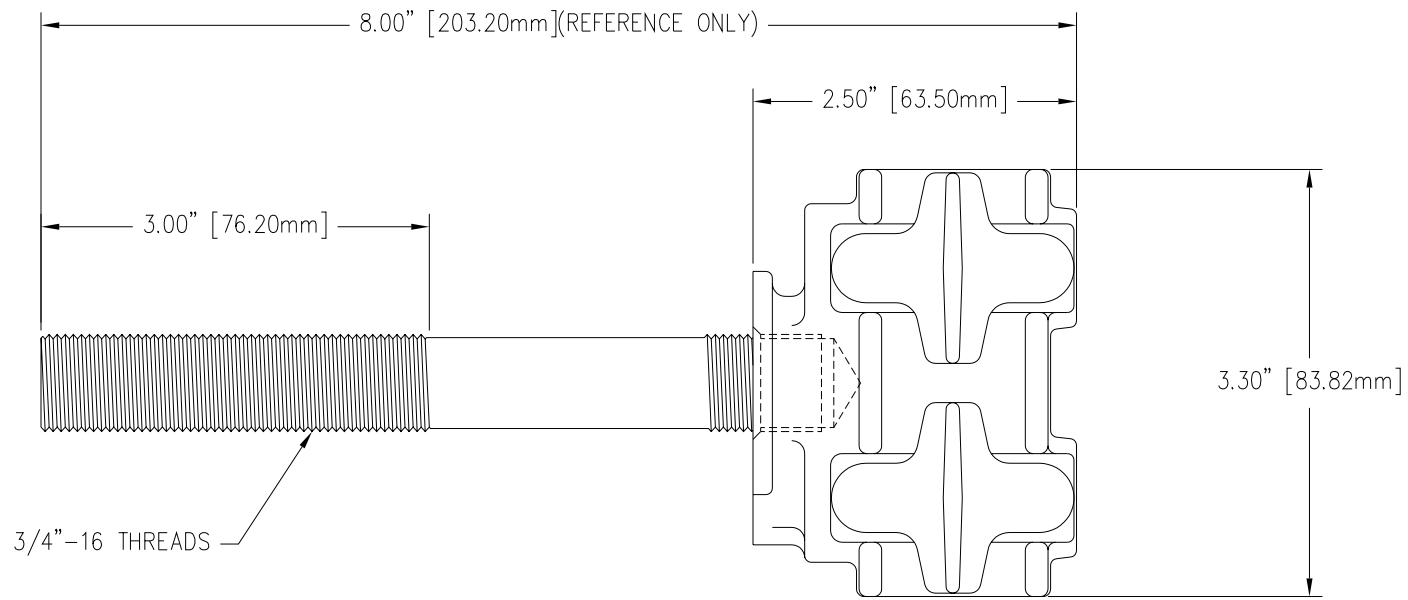
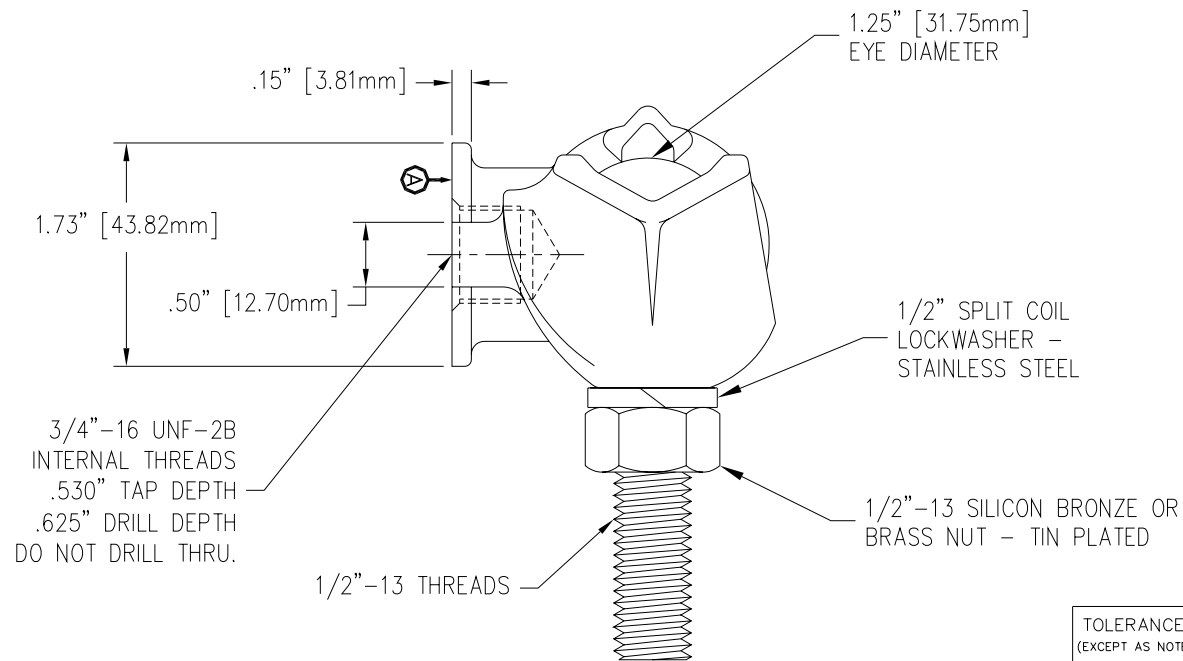


REVISIONS				
NO.	DATE	REMARKS	BY	APPD.



THREAD PROTECTOR



3/4"-16 UNF-2B  
INTERNAL THREADS  
.530" TAP DEPTH  
.625" DRILL DEPTH  
DO NOT DRILL THRU.

1/2" SPLIT COIL  
LOCKWASHER -  
STAINLESS STEEL

1/2"-13 SILICON BRONZE OR  
BRASS NUT - TIN PLATED

NOTE:

STUD HAS BEEN REMOVED  
IN BOTTOM VIEW FOR CLAIRITY.

MATERIAL:

STUD - COPPER CDA 110  
TERMINAL BODY - CDA 844 TIN PLATED  
EYEBOLT - CDA 955 TIN PLATED

NOTE:  
FULL THREAD FROM SURFACE   
TO THE DEPTH SPECIFIED IN THE TAP NOTE.

TOLERANCES (EXCEPT AS NOTED)	
DECIMAL	± .032" / .8mm
FRACTIONAL	±
ANGULAR	± 2°



**H-J ENTERPRISES, INC.**  
3010 HIGH RIDGE BLVD. HIGH RIDGE, MO. 63049 USA  
PHONE 1-636-677-3421 FAX 1-636-376-1915

100 KVA DOUBLE EYEBOLT  
HARDWARE ASSEMBLY

MATERIAL (SEE DRAWING)		DRAWING NO.
CHK'D	APP'D	AS1058-004
DRAWN BY CJT	DATE 10-23-98	SCALE N.T.S.