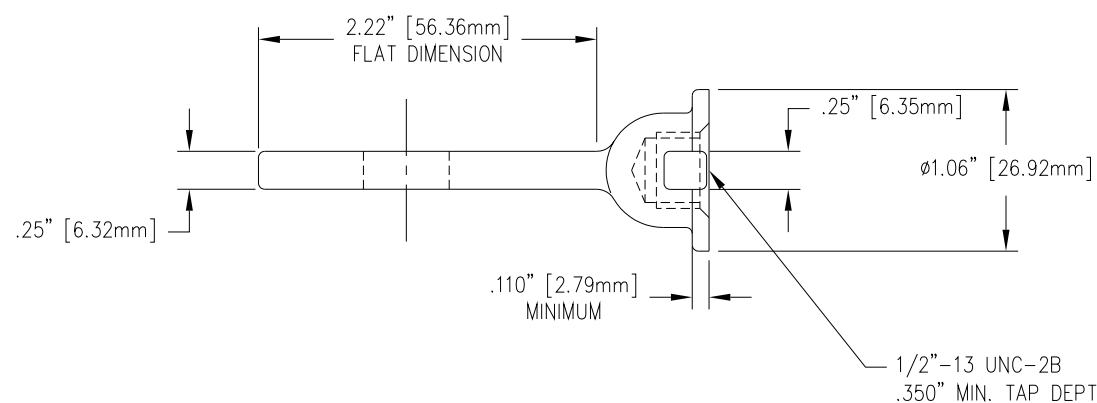
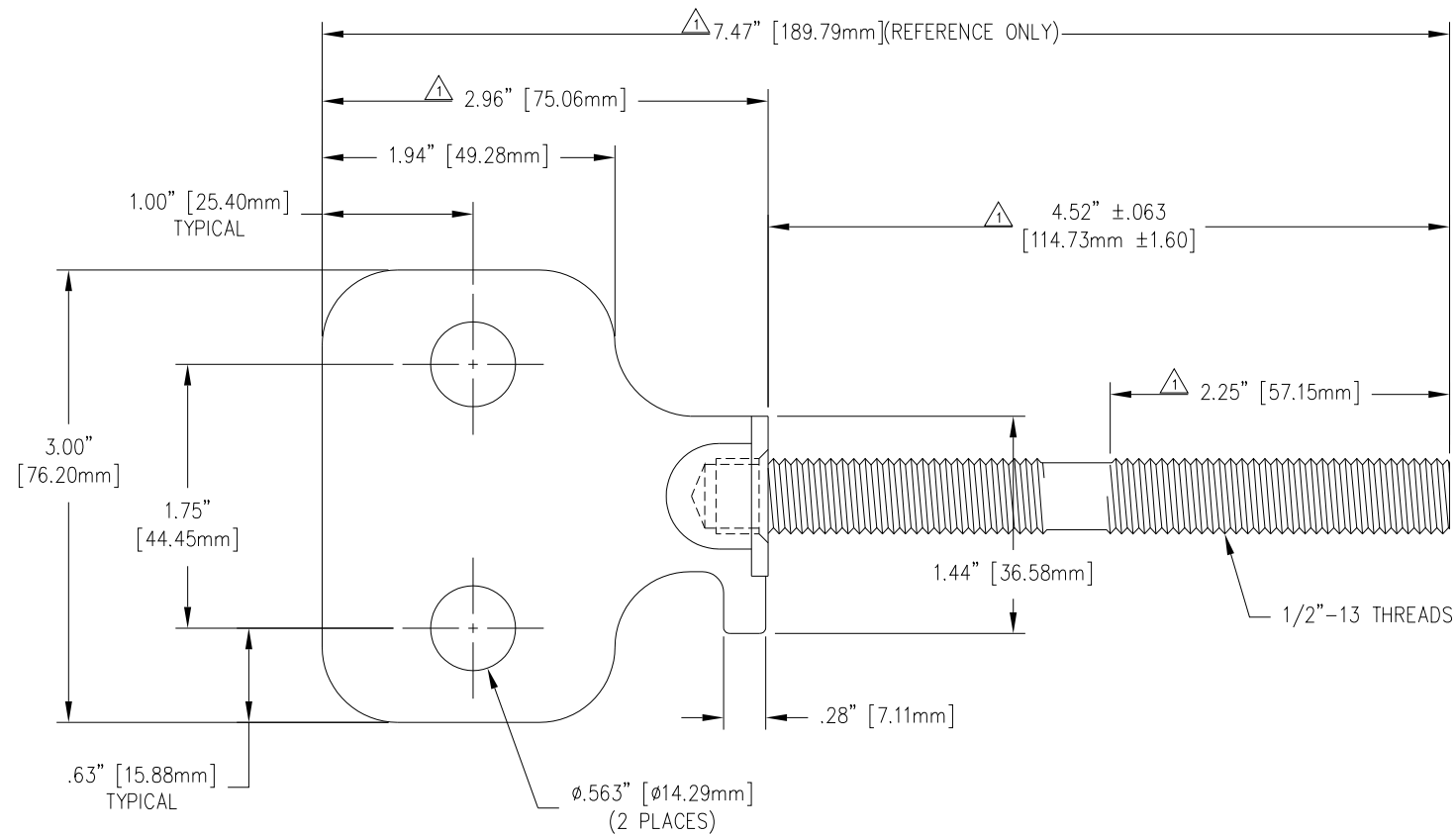


REVISIONS				
NO.	DATE	REMARKS	BY	APPD.
1	10-7-99	EDITED DIMENSIONS AND THE TAP DEPTH.	CJT	LHE



MATERIAL:
STUD - COPPER CDA 110
SPADE - CDA 844 TIN PLATED

NOTE:
BOTTOM VIEW SHOWN WITHOUT
STUD FOR DIMENSIONING.

NOTE:
FULL THREAD FROM SURFACE 
TO THE DEPTH SPECIFIED IN THE TAP NOTE.

TOLERANCES (EXCEPT AS NOTED)
DECIMAL ± .032" / .8mm
FRACTIONAL ±
ANGULAR ± 2°



H-J ENTERPRISES, INC.
3010 HIGH RIDGE BLVD. HIGH RIDGE, MO. 63049 USA
PHONE 1-636-677-3421 FAX 1-636-376-1915

50 KVA SPADE & STUD
HARDWARE ASSEMBLY

MATERIAL
(SEE ABOVE)

CHK'D APP'D
SCALE N.T.S.

DRAWING NO.

AS1041-004

DRAWN BY CJT DATE 10-20-98