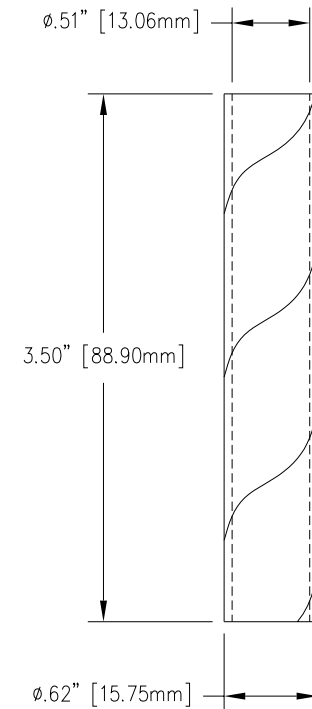
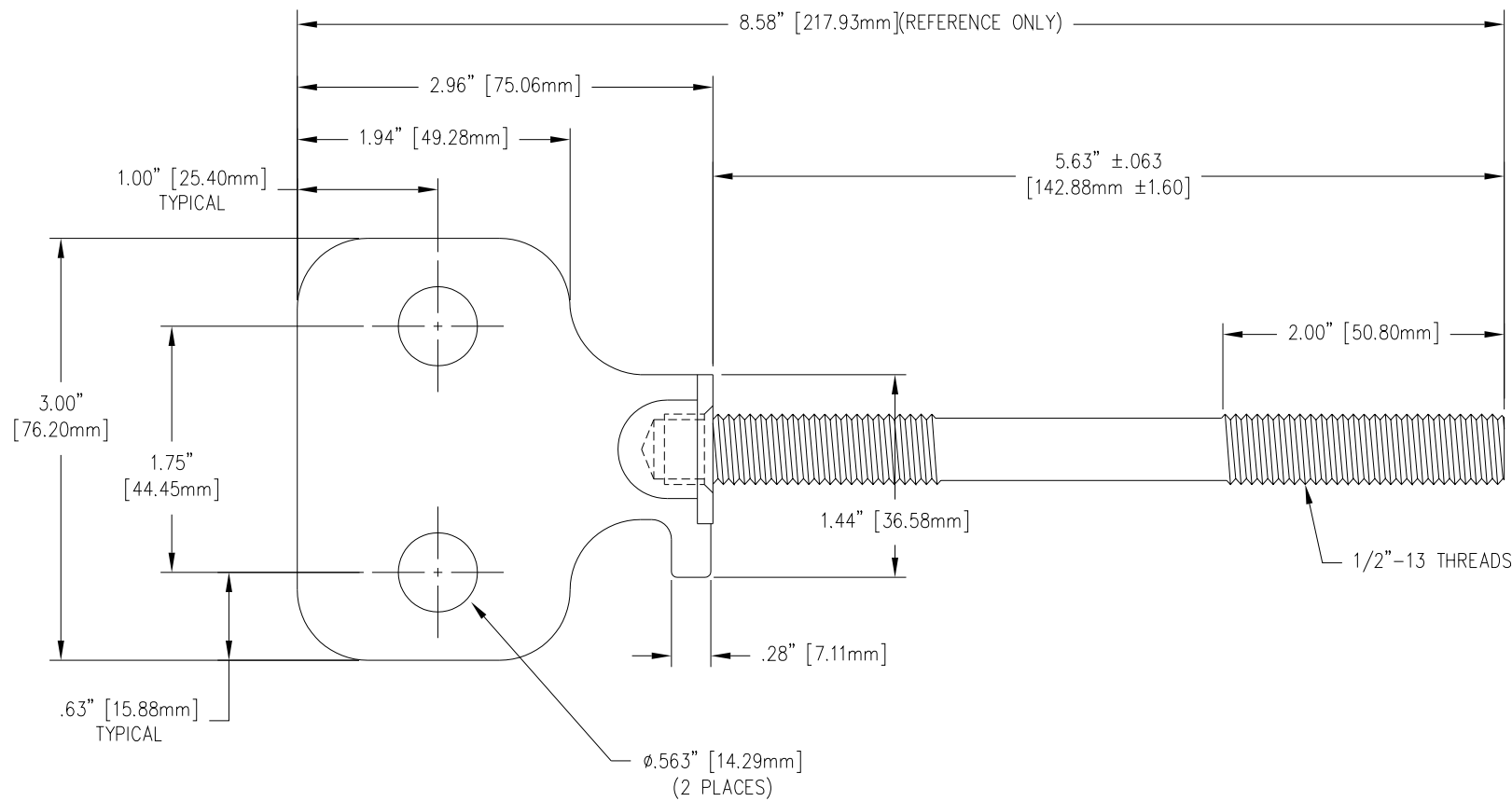
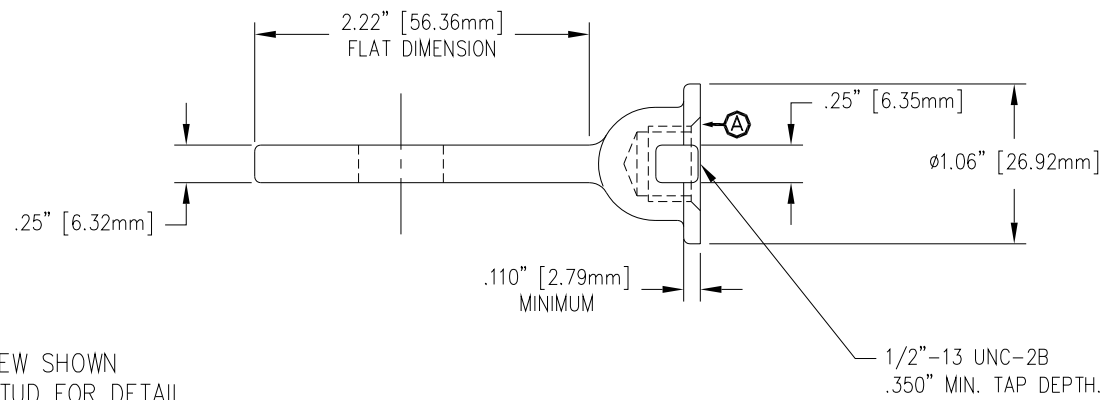


REVISIONS				
NO.	DATE	REMARKS	BY	APPD.



THREAD PROTECTOR



COMPONENTS:


STUD = ST-4001-13
SPADE = SP-3023-02

MATERIAL:

STUD - COPPER CDA 110
SPADE - CDA 844 TIN PLATED

NOTE:
BOTTOM VIEW SHOWN
WITHOUT STUD FOR DETAIL.

NOTE:
FULL THREAD FROM SURFACE 
TO THE DEPTH SPECIFIED IN THE TAP NOTE.

TOLERANCES (EXCEPT AS NOTED)	
DECIMAL ± .032" / .8mm	
FRACTIONAL ±	
ANGULAR ± 2°	

H-J ENTERPRISES, INC.
3010 HIGH RIDGE BLVD. HIGH RIDGE, MO. 63049 USA
PHONE 1-636-677-3421 FAX 1-636-376-1915

SPADE & STUD ASSEMBLY

MATERIAL
(SEE ABOVE)

CHK'D APP'D
SCALE N.T.S.

DRAWING NO.

AS1041-003

DRAWN BY C.J.T. DATE 10-8-99