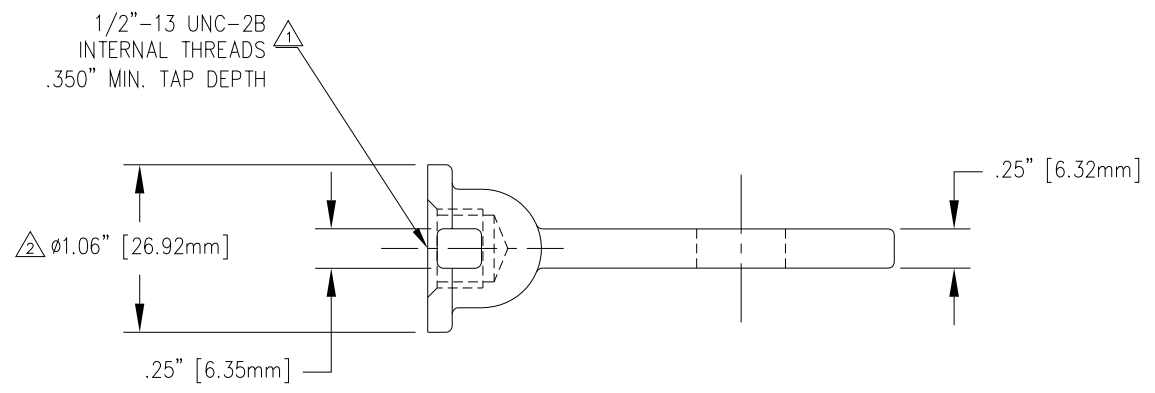
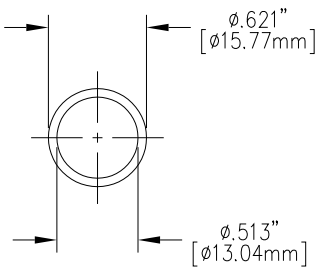
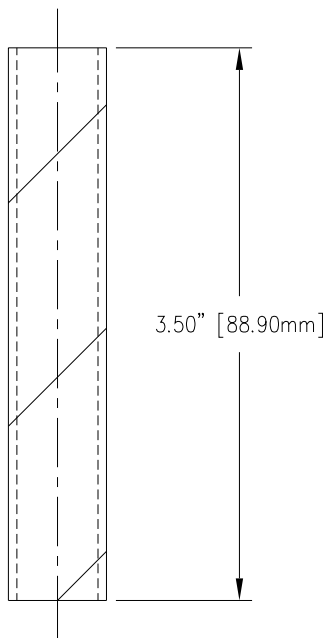
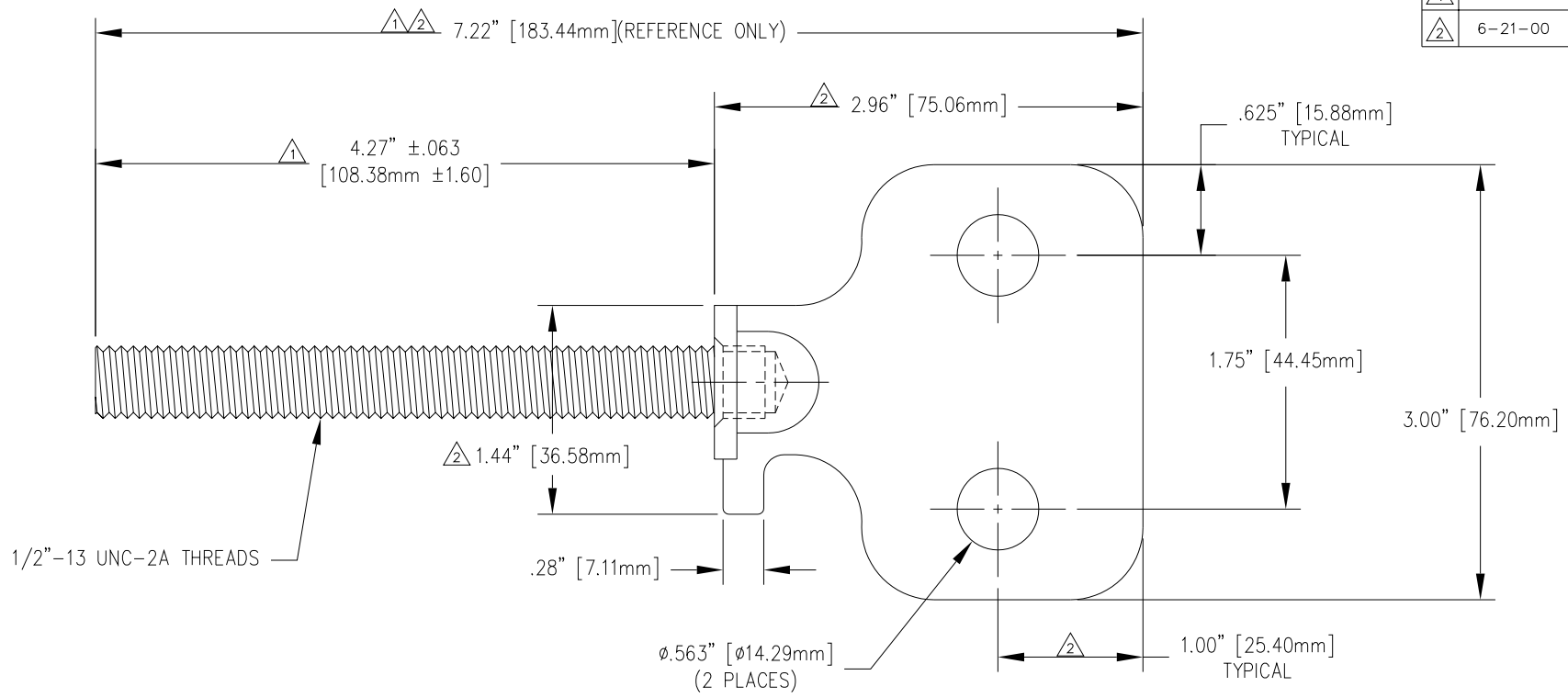


REVISIONS				
NO.	DATE	REMARKS	BY	APPD.
1	10-7-99	ADDED TAP NOTE AND EDITED DIMENSIONS.	CJT	LHE
2	6-21-00	EDITED & ADDED DIMENSIONS.	CJT	LHE



THREAD PROTECTOR

MATERIAL:
 STUD - COPPER CDA 110
 SPADE - CDA 844 TIN PLATED

TOLERANCES (EXCEPT AS NOTED) DECIMAL $\pm .032" / .8\text{mm}$ FRACTIONAL \pm ANGULAR $\pm 2^\circ$		H-J ENTERPRISES, INC. 3010 HIGH RIDGE BLVD. HIGH RIDGE, MO. 63049 USA PHONE 1-636-677-3421 FAX 1-636-376-1915		
		SPADE & STUD ASSEMBLY		
		MATERIAL (SEE ABOVE)		
		CHK'D	APP'D	DRAWING NO.
DRAWN BY CJT	DATE 7-26-99	SCALE N.T.S.	AS1041-002	