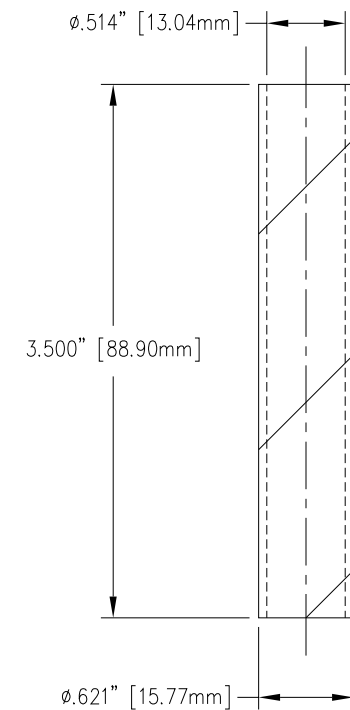
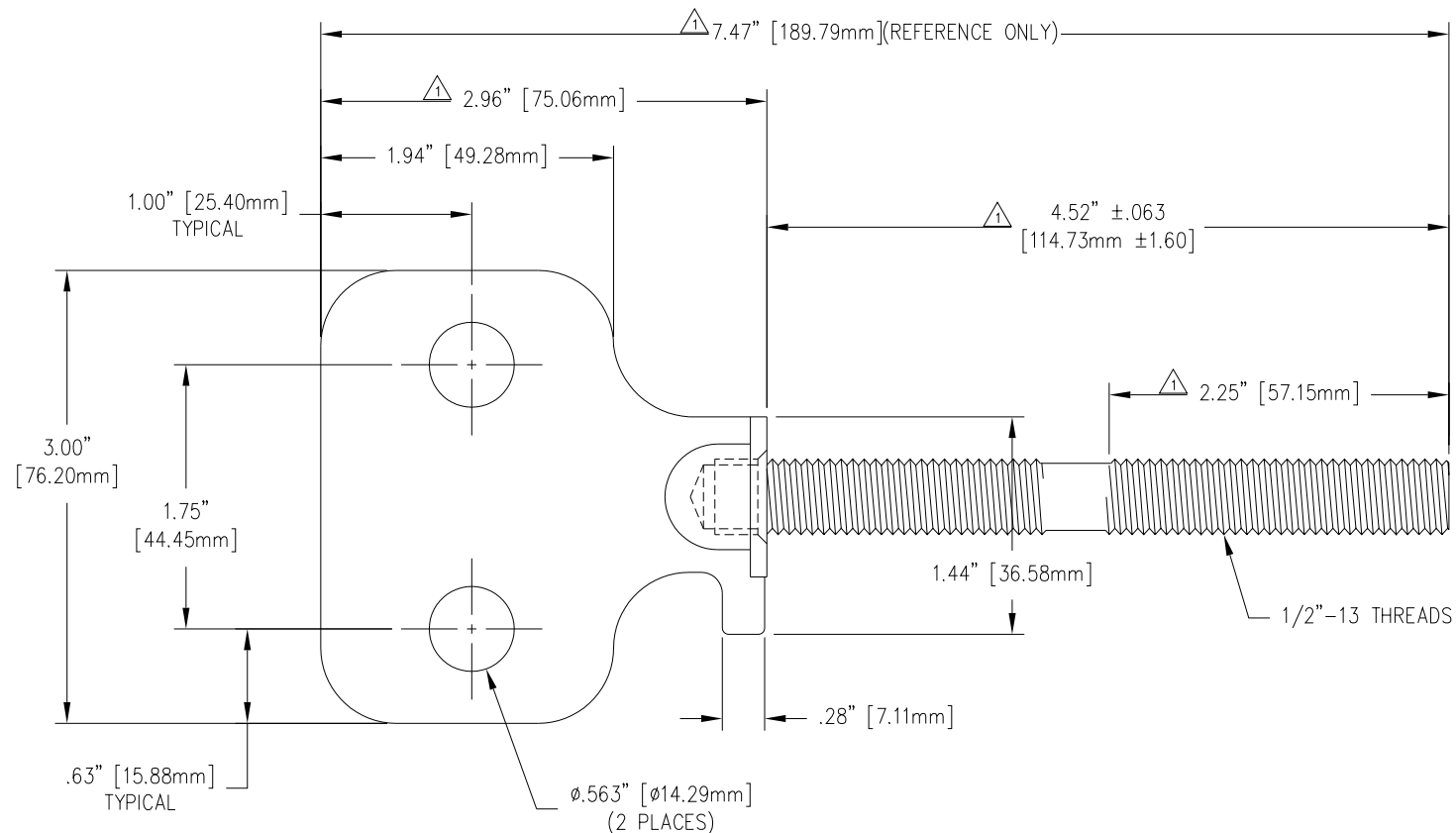
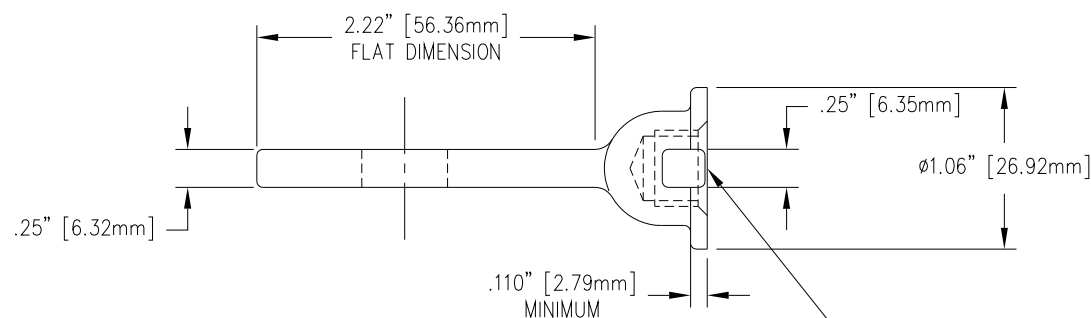


REVISIONS				
NO.	DATE	REMARKS	BY	APPD.
1	10-7-99	ADDED TAP NOTE AND EDITED DIMENSIONS.	CJT	LHE




THREAD PROTECTOR



1/2"-13 UNC-2B
.350" MIN. TAP DEPTH. Δ

MATERIAL:
STUD - COPPER CDA 110
SPADE - CDA 844 - TIN PLATED

NOTE:
STUD HAS BEEN REMOVED
IN THIS VIEW FOR CLAIRITY.

TOLERANCES (EXCEPT AS NOTED)		 H-J ENTERPRISES, INC. 3010 HIGH RIDGE BLVD. HIGH RIDGE, MO. 63049 USA PHONE 1-636-677-3421 FAX 1-636-376-1915	
DECIMAL ± .032" / .8mm			
FRACTIONAL ±		SPADE & STUD HARDWARE ASSEMBLY	
ANGULAR ± 2°		MATERIAL (SEE ABOVE)	
DRAWN BY TLH		DATE 5-8-96	APP'D N.T.S.
		DRAWING NO. AS1041-001	