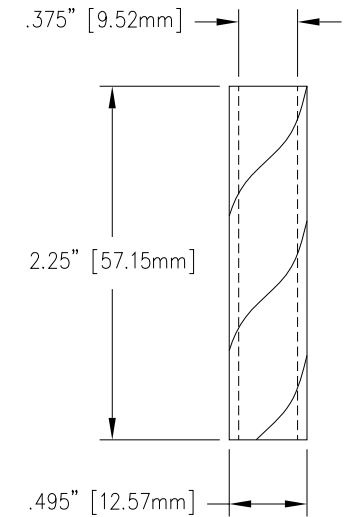
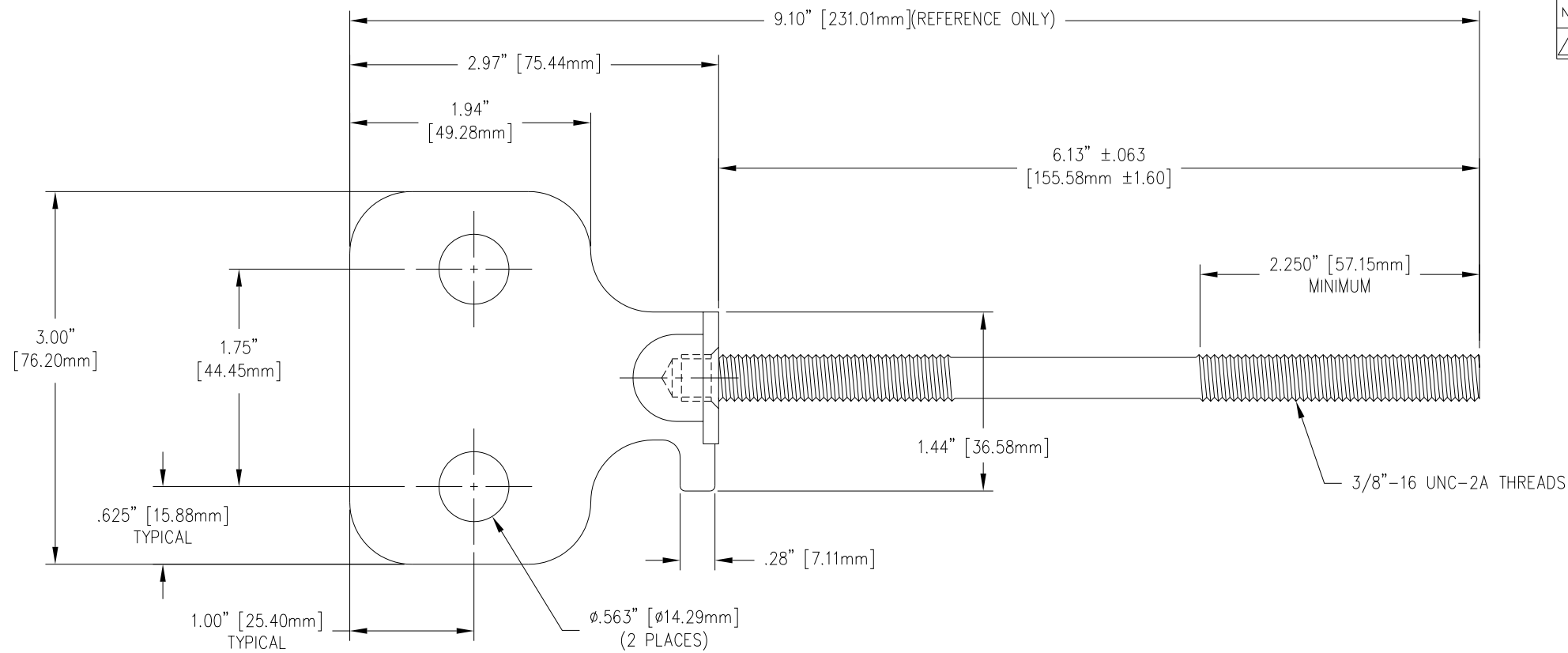
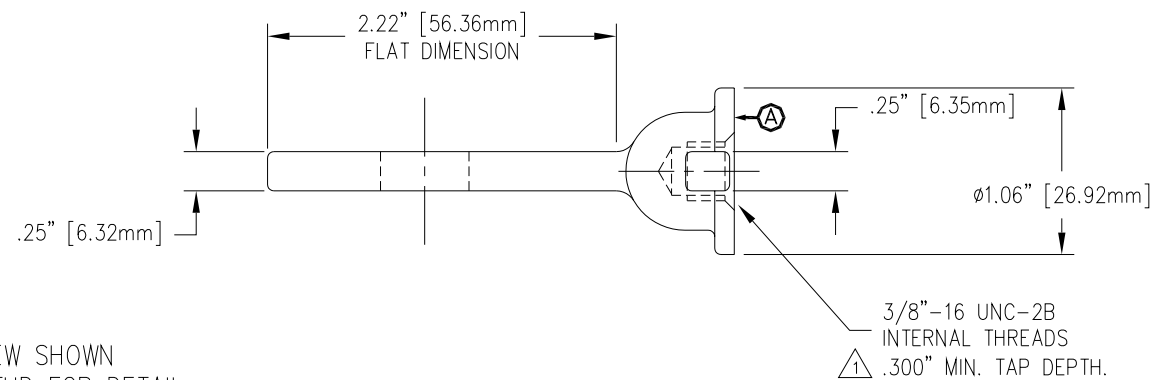


REVISIONS				
NO.	DATE	REMARKS	BY	APPD.
1	6-20-00	CHANGED TAP DEPTH: .280" TO .300" MIN.	CJT	LHE




THREAD PROTECTOR



NOTE:  
BOTTOM VIEW SHOWN  
WITHOUT STUD FOR DETAIL.

NOTE:  
FULL THREAD FROM SURFACE   
TO THE DEPTH SPECIFIED IN THE TAP NOTE.

MATERIAL:  
STUD - COPPER CDA 110  
SPADE - CDA 844 TIN PLATED

TOLERANCES (EXCEPT AS NOTED)		<b>H-J ENTERPRISES, INC.</b>		
DECIMAL ± .032 / .8mm		3010 HIGH RIDGE BLVD. HIGH RIDGE, MO. 63049 USA PHONE 1-636-677-3421 FAX 1-636-376-1915		
FRACTIONAL ±		2 HOLE SPADE TERMINAL AND STUD ASSEMBLY		
ANGULAR ± 2°		MATERIAL SEE DRAWING	CHK'D	APP'D
	DRAWN BY CJT	DATE 12-15-98	SCALE N.T.S.	DRAWING NO. AS1040-005