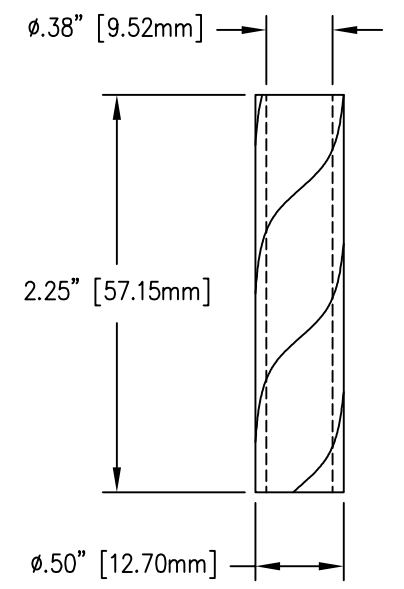
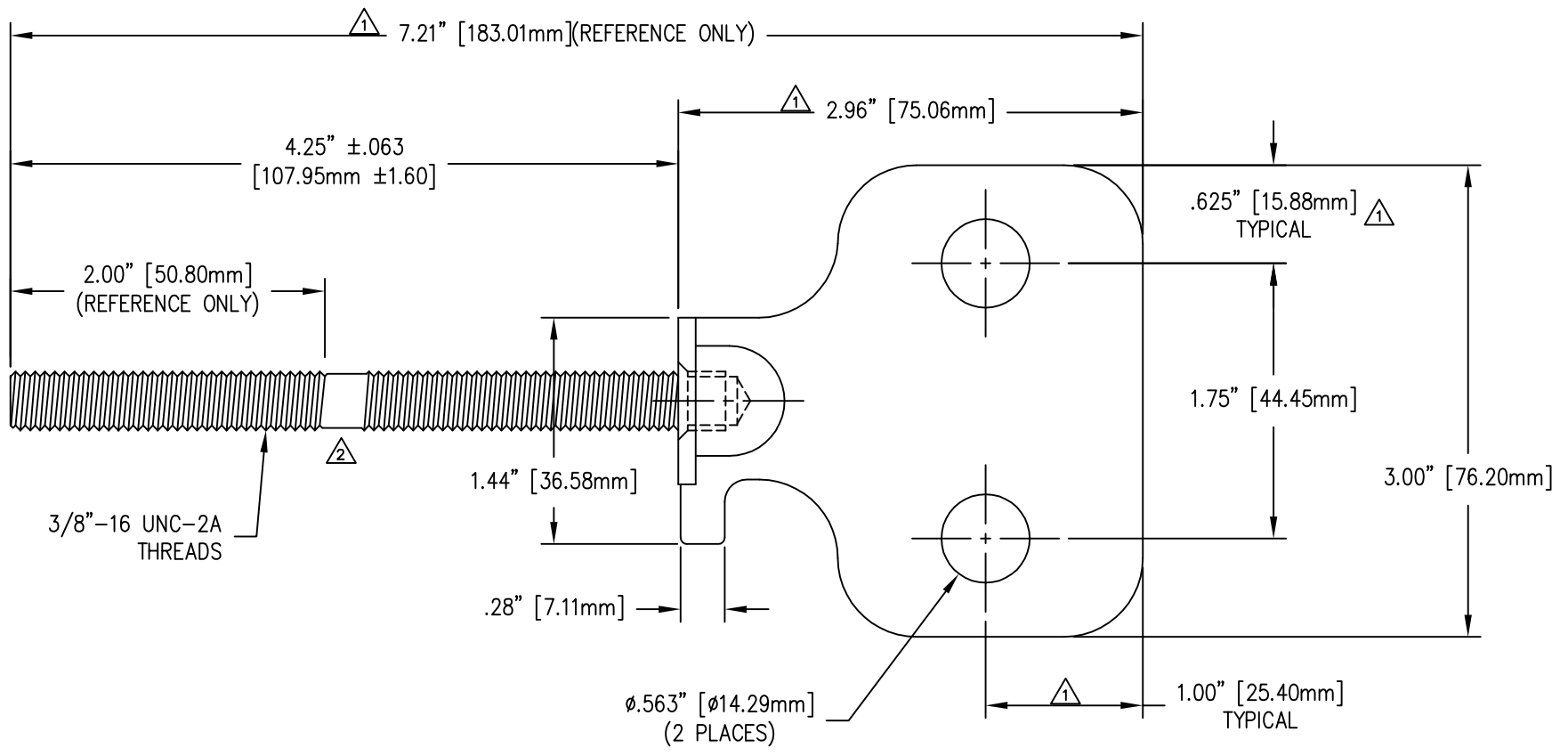
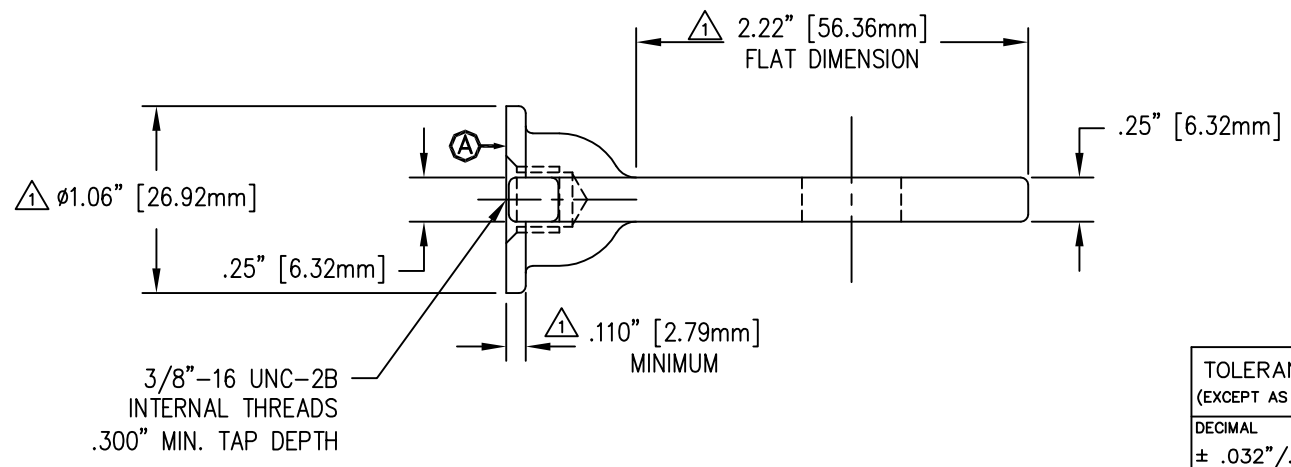


REVISIONS					
NO.	DATE	ECN #	REMARKS	BY	APPD.
1	6-19-00		EDITED & ADDED DIMENSIONS.	CJT	LHE
2	2-16-06	HJ06-011	REVISED THREADS.	CJT	SP



THREAD PROTECTOR



MATERIAL:
 STUD - COPPER CDA 11000 (ST-4000-02)
 SPADE - CDA 84400 TIN PLATED (SP-3023-01)

NOTES:
 BOTTOM VIEW SHOWN WITHOUT STUD
 FOR DIMENSIONING.

TOLERANCES (EXCEPT AS NOTED) DECIMAL $\pm .032"/.8mm$ FRACTIONAL \pm ANGULAR $\pm 2^\circ$		H-J ENTERPRISES, INC. 3010 HIGH RIDGE BLVD. HIGH RIDGE, MO. 63049 USA PHONE 1-636-677-3421 FAX 1-636-376-1915		
		25 KVA SPADE & STUD ASSEMBLY		
MATERIAL (SEE DRAWING)		CHK'D	APP'D	DRAWING NO. AS1040-002
DRAWN BY CJT		DATE 7-26-99	SCALE N.T.S.	