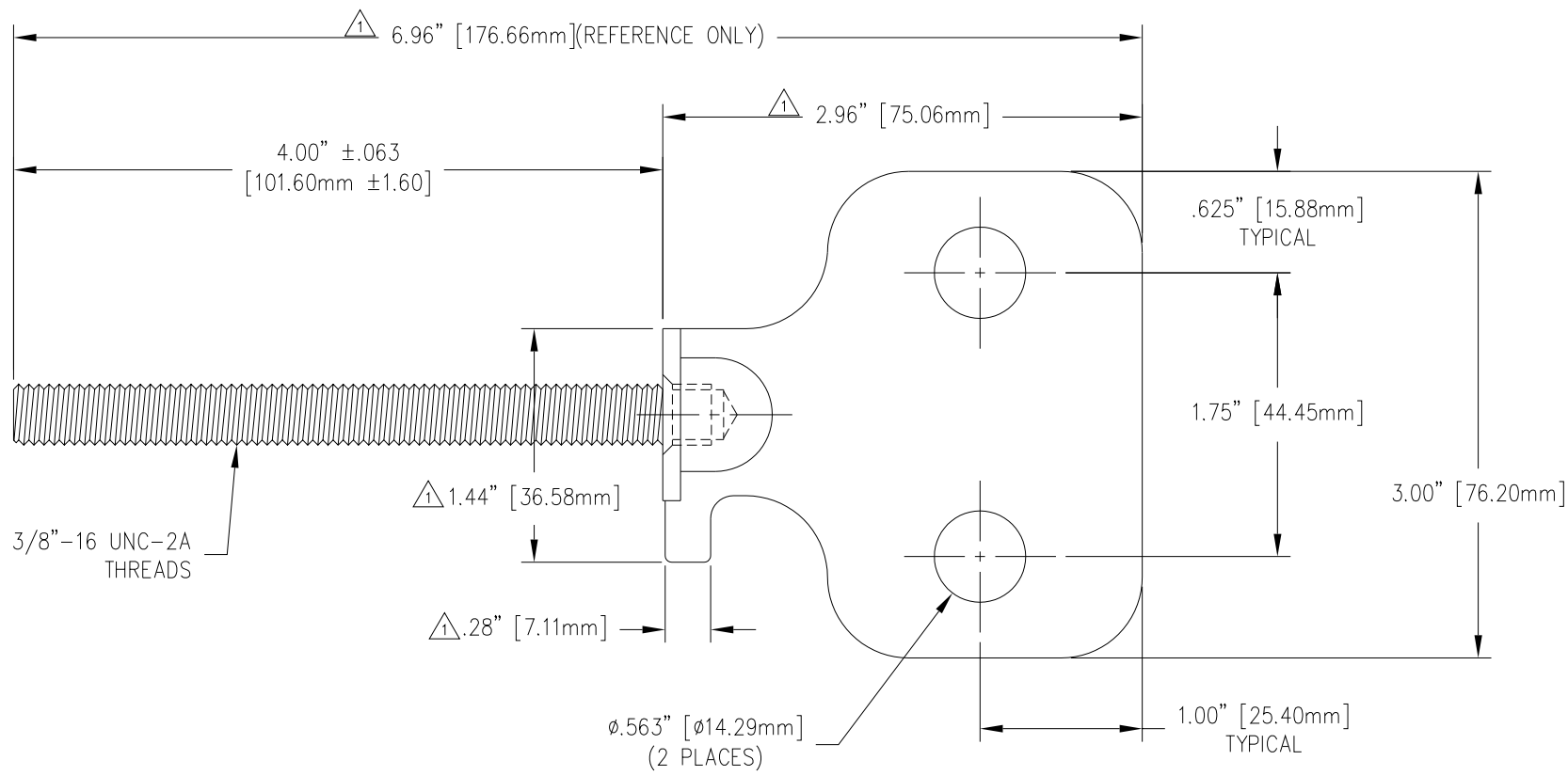


REVISIONS				
NO.	DATE	REMARKS	BY	APPD.
1	6-19-00	EDITED & ADDED DIMENSIONS, AND ADDED A TAP NOTE.	CJT	LHE



3/8"-16 UNC-2A
THREADS

1.44" [36.58mm]

.28" [7.11mm]

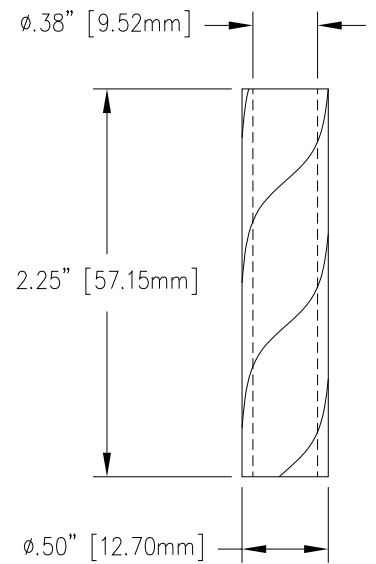
0.563" [14.29mm]
(2 PLACES)

.625" [15.88mm]
TYPICAL

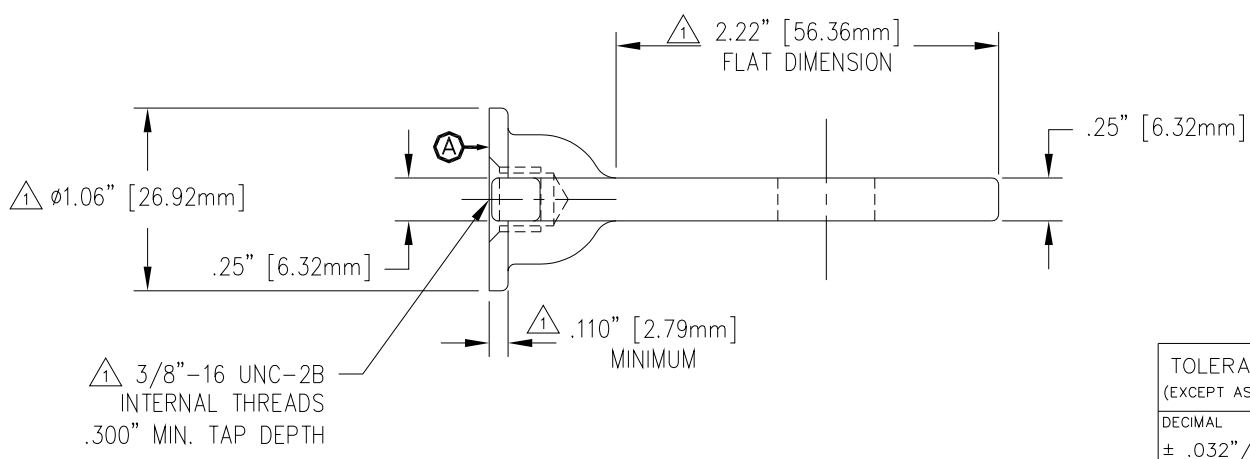
1.75" [44.45mm]

3.00" [76.20mm]

1.00" [25.40mm]
TYPICAL



THREAD PROTECTOR



1.06" [26.92mm]

.25" [6.32mm]

.110" [2.79mm]
MINIMUM

3/8"-16 UNC-2B
INTERNAL THREADS
.300" MIN. TAP DEPTH

2.22" [56.36mm]
FLAT DIMENSION

.25" [6.32mm]

MATERIAL:

STUD - COPPER CDA 110 (ST-4000-01)
SPADE - CDA 844 TIN PLATED (SP-3023-01)

NOTES:

BOTTOM VIEW SHOWN WITHOUT STUD
FOR DIMENSIONING.

TOLERANCES (EXCEPT AS NOTED) DECIMAL ± .032" / .8mm FRACTIONAL ± ANGULAR ± 2°		H-J ENTERPRISES, INC. 3010 HIGH RIDGE BLVD. HIGH RIDGE, MO. 63049 USA PHONE 1-636-677-3421 FAX 1-636-376-1915		
		25 KVA SPADE & STUD ASSEMBLY		
		MATERIAL (SEE DRAWING)		
		DRAWN BY CJT	DATE 7-26-99	SCALE N.T.S.