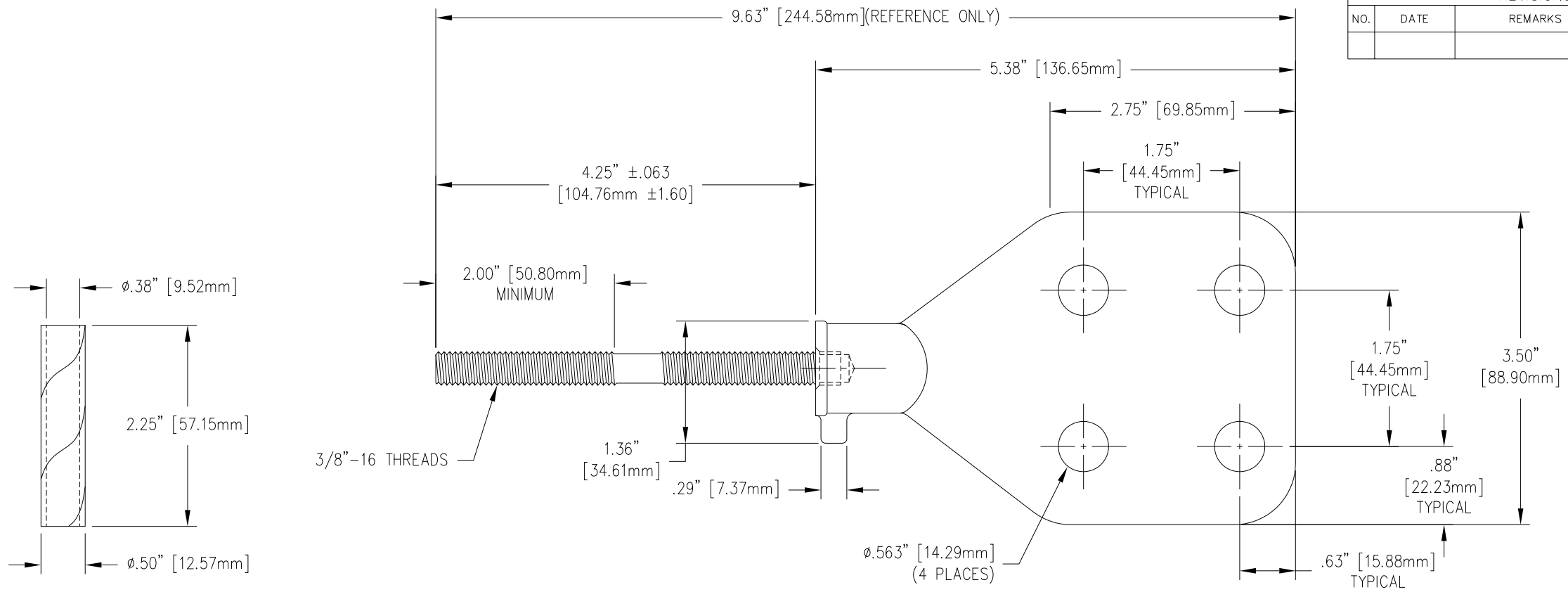
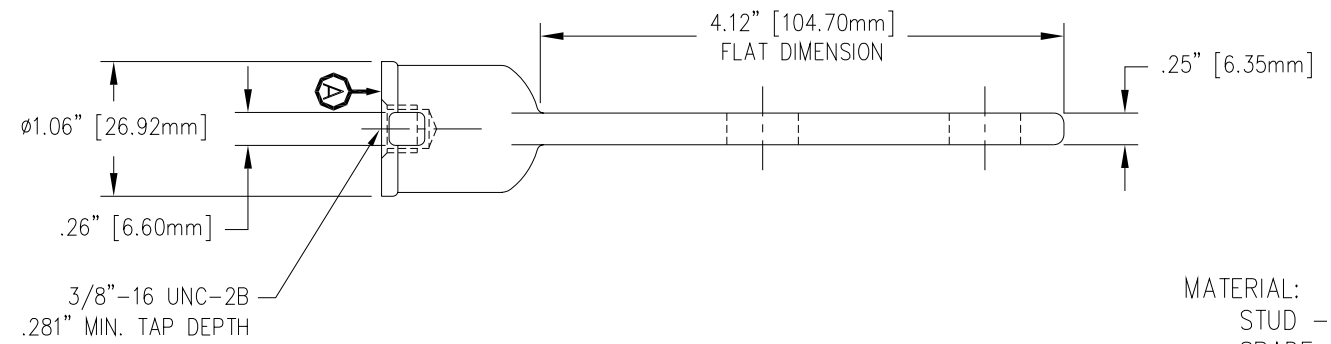
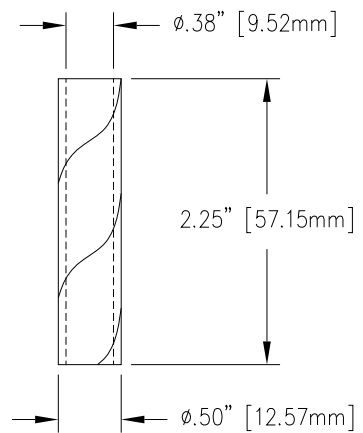


REVISIONS				
NO.	DATE	REMARKS	BY	APPD.





THREAD PROTECTOR



NOTE:
BOTTOM VIEW SHOWN
WITHOUT STUD FOR DETAIL.

NOTE:
FULL THREAD FROM SURFACE 
TO THE DEPTH SPECIFIED IN THE TAP NOTE.

MATERIAL:
STUD - COPPER CDA 110
SPADE - CDA 844 TIN PLATED

TOLERANCES (EXCEPT AS NOTED)		H-J ENTERPRISES, INC. 3010 HIGH RIDGE BLVD. HIGH RIDGE, MO. 63049 USA PHONE 1-636-677-3421 FAX 1-636-376-1915		
		25 KVA 4 HOLE SPADE HARDWARE ASSEMBLY		
DECIMAL ± .032"/.8mm		MATERIAL (SEE DRAWING)		
FRACTIONAL ±		CHK'D	APP'D	DRAWING NO.
ANGULAR ± 2°	DRAWN BY CJT	DATE 12-14-98	SCALE N.T.S.	AS1023-010