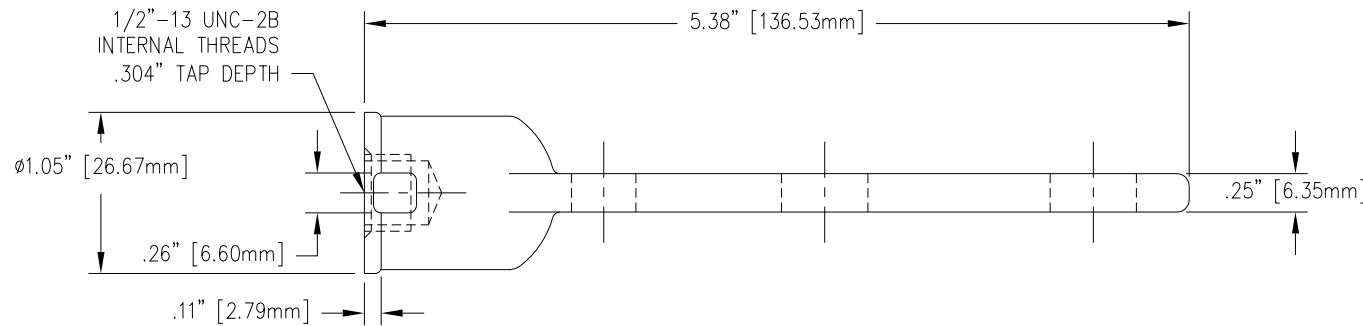
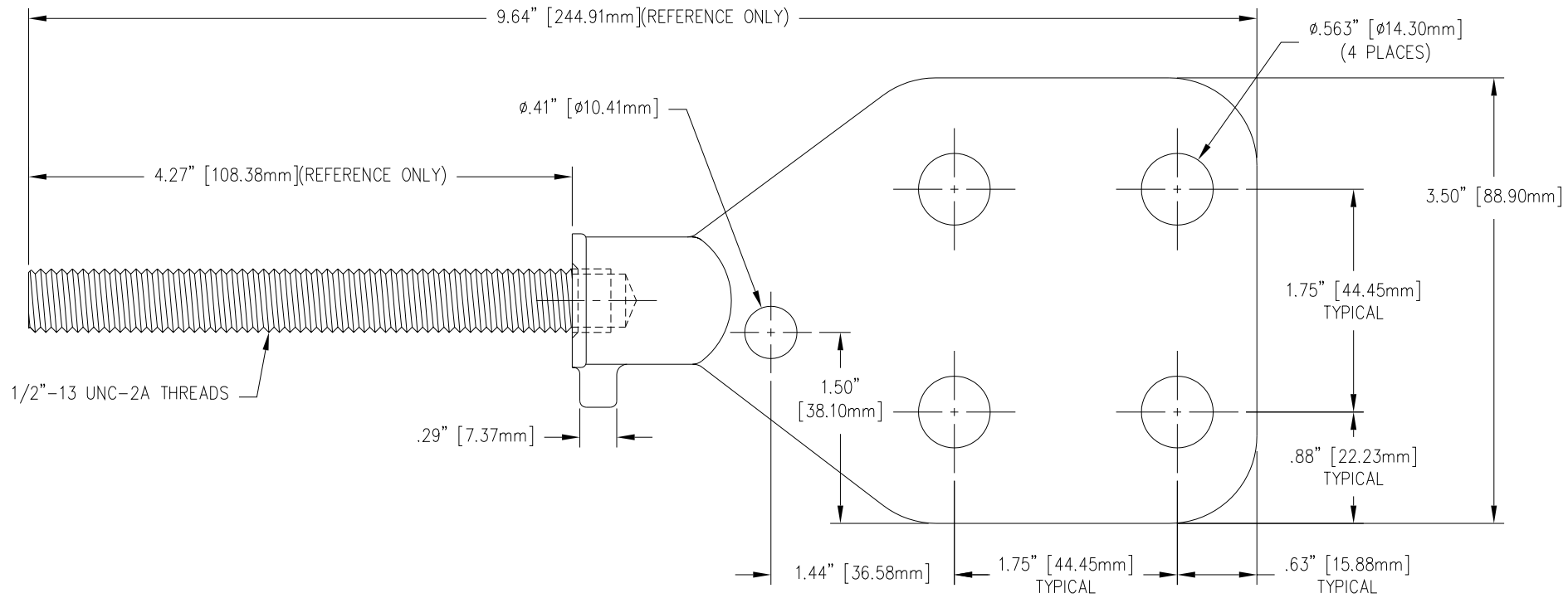


REVISIONS

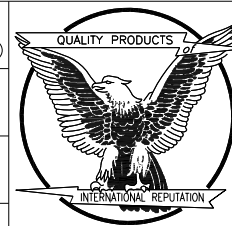
NO.	DATE	ECN #	REMARKS	BY	APPD.



NOTES:
BOTTOM VIEW SHOWN WITHOUT STUD
FOR DIMENSIONING.

MATERIAL:
STUD - COPPER CDA 11000 (ST-4001-09)
SPADE - CDA 84400 TIN PLATED (SP-3036-05)

TOLERANCES (EXCEPT AS NOTED)	
DECIMAL	± .032" / .8mm
FRACTIONAL	±
ANGULAR	± 2°



H-J ENTERPRISES, INC.
3010 HIGH RIDGE BLVD. HIGH RIDGE, MO. 63049 USA
PHONE 1-636-677-3421 FAX 1-636-376-1915

SPADE & STUD ASSEMBLY

MATERIAL (SEE DRAWING)

CHK'D	APP'D
DATE	SCALE
5-29-02	N.T.S.

DRAWING NO.
AS1023-006

DRAWN BY
CJT