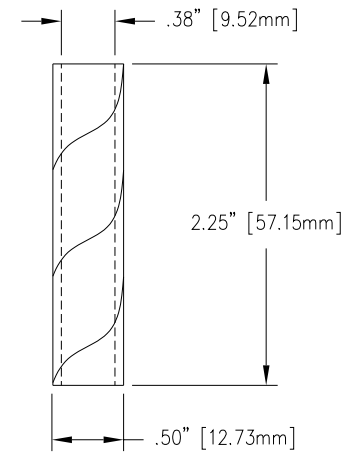
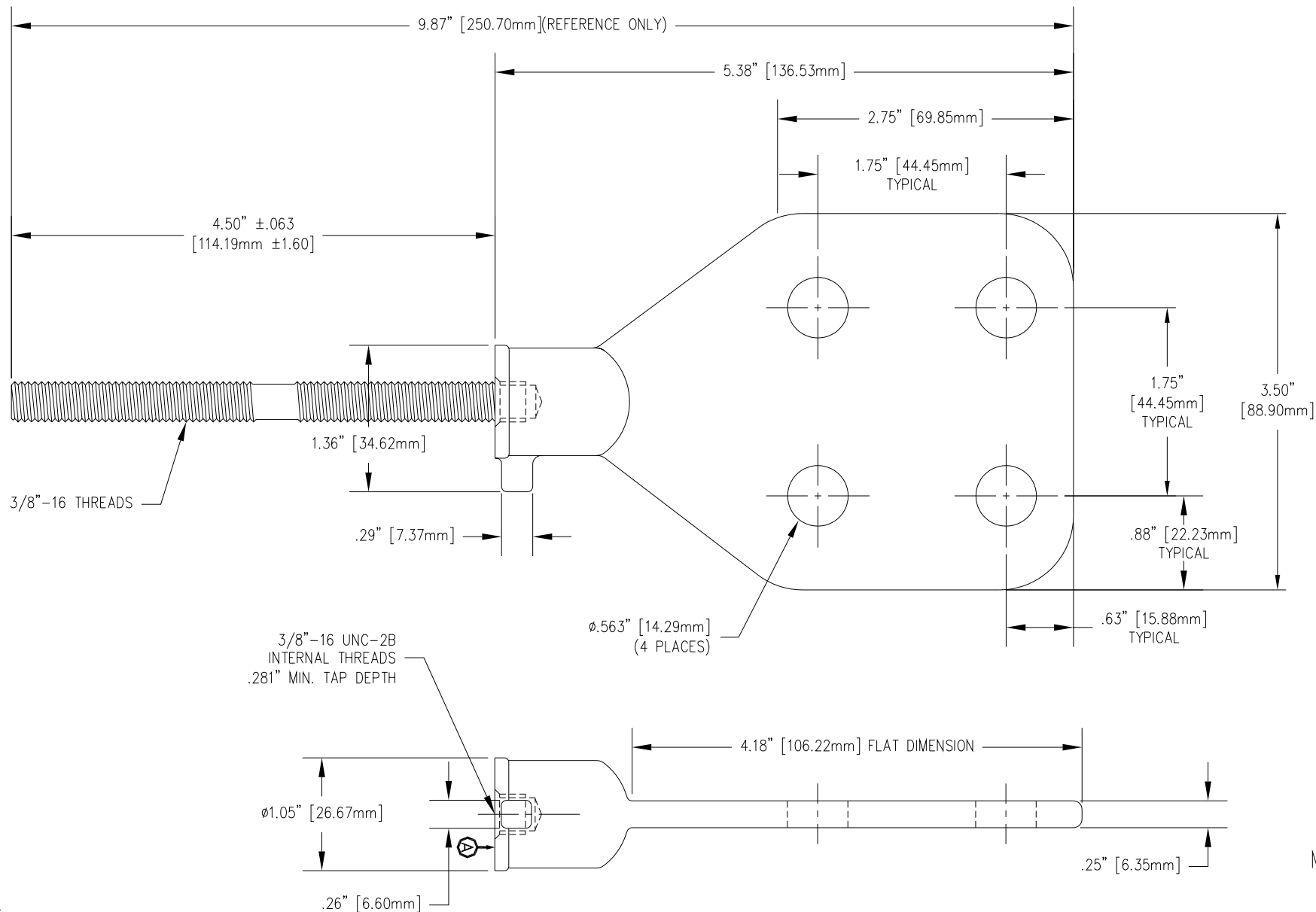


REVISIONS				
NO.	DATE	REMARKS	BY	APPD.
1	10-13-99	REDRAWN & REDIMENSIONED.	CJT	LHE




THREAD PROTECTOR

MATERIAL:  
 STUD - COPPER CDA 110  
 SPADE - CDA 844 TIN PLATED

NOTE:  
 BOTTOM VIEW SHOWN  
 WITHOUT STUD FOR DETAIL.

NOTE:  
 FULL THREAD FROM SURFACE   
 TO THE DEPTH SPECIFIED IN THE TAP NOTE.

TOLERANCES (EXCEPT AS NOTED) DECIMAL $\pm .032" / .8mm$ FRACTIONAL $\pm$ ANGULAR $\pm 2^\circ$		<b>H-J ENTERPRISES, INC.</b> 3010 HIGH RIDGE BLVD. HIGH RIDGE, MO. 63049 USA PHONE 1-636-677-3421 FAX 1-636-376-1915		
		25 KVA SPADE & STUD ASSEMBLY		
		MATERIAL (SEE ABOVE)		
		CHK'D DATE 10-20-98	APP'D SCALE N.T.S.	DRAWING NO. AS1023-004