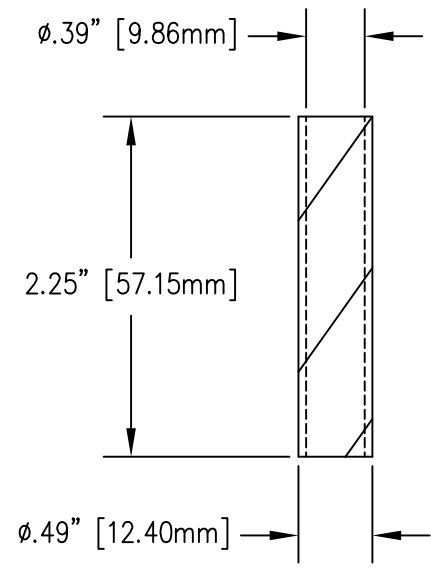
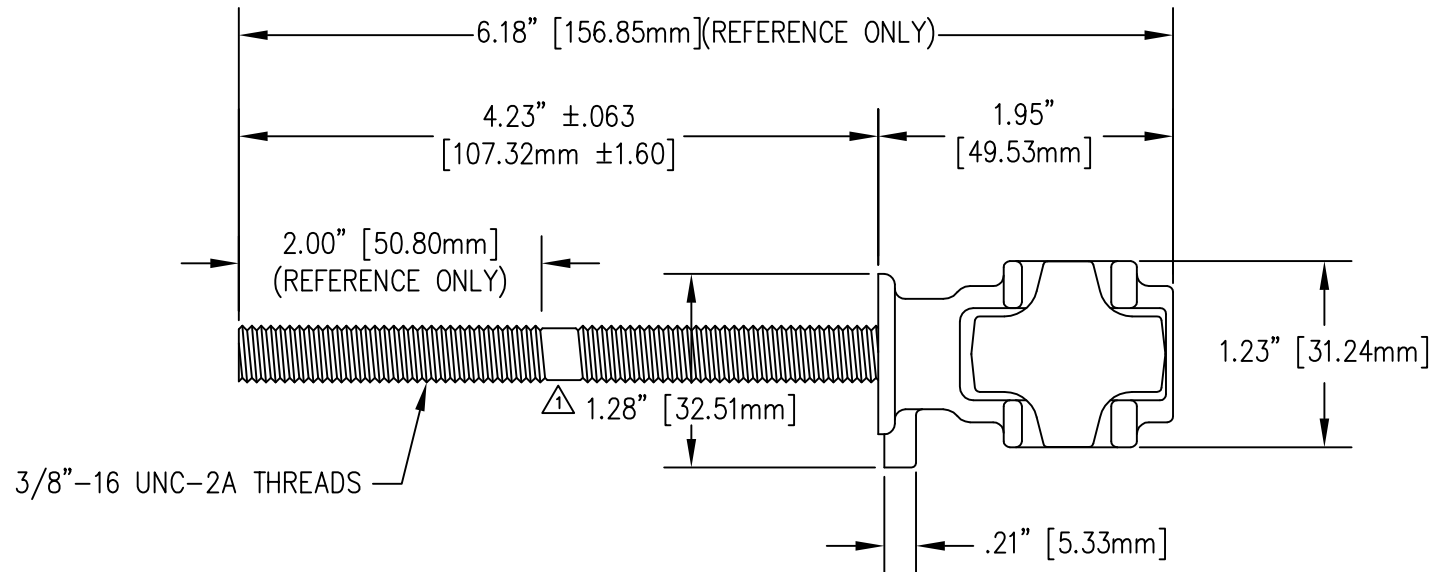
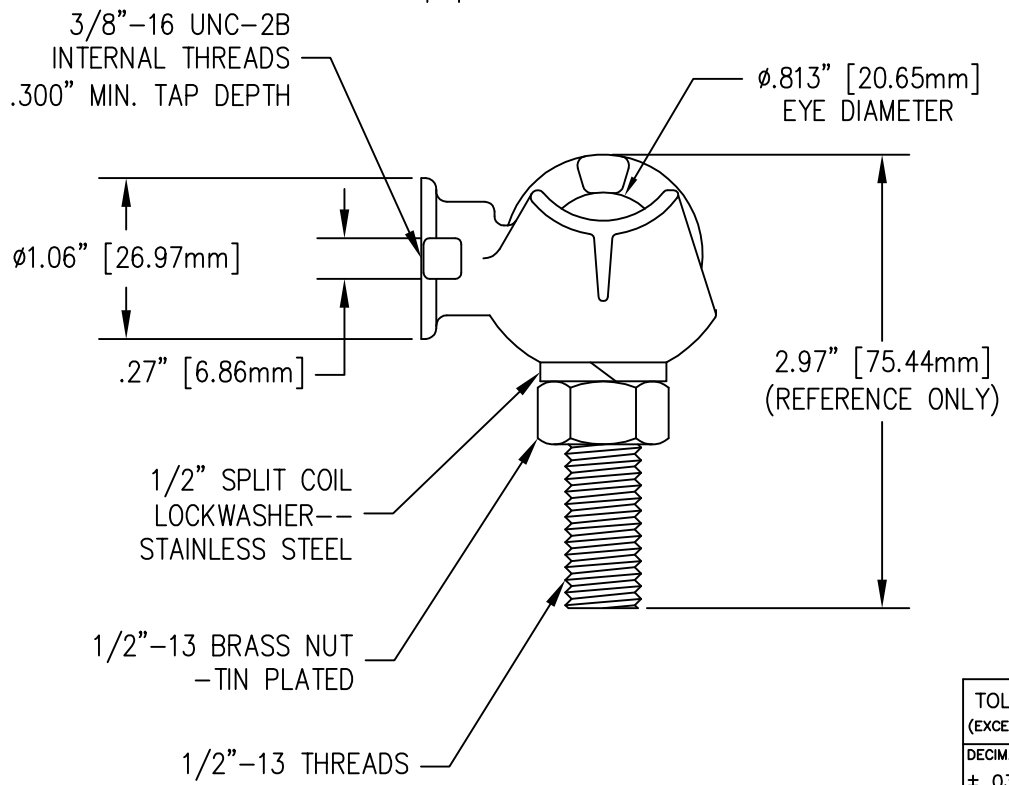


REVISIONS					
NO.	DATE	ECN #	REMARKS	BY	APPD.
1	2-16-06	HJ06-011	REVISED THREADS.	CJT	SP



THREAD PROTECTOR



MATERIAL:  
 STUD - COPPER CDA 11000  
 BODY - CDA 84400 TIN PLATED  
 EYEBOLT - CDA 95500 TIN PLATED

NOTE:  
 BOTTOM VIEW SHOWN WITHOUT  
 STUD TO SHOW DIMENSIONS.

TOLERANCES (EXCEPT AS NOTED) DECIMAL $\pm .032" / .8mm$ FRACTIONAL $\pm$ ANGULAR $\pm 2^\circ$		<b>H-J ENTERPRISES, INC.</b> 3010 HIGH RIDGE BLVD. HIGH RIDGE, MO. 63049 USA PHONE 1-636-677-3421 FAX 1-636-376-1915			
		25 KVA TERMINAL BODY, EYEBOLT, AND STUD HARDWARE ASSEMBLY			
		MATERIAL (SEE DRAWING)			
		CHK'D DATE 4-19-00	APP'D SCALE N.T.S.	DRAWING NO. <b>AS1020-010</b>	
DRAWN BY CJT					