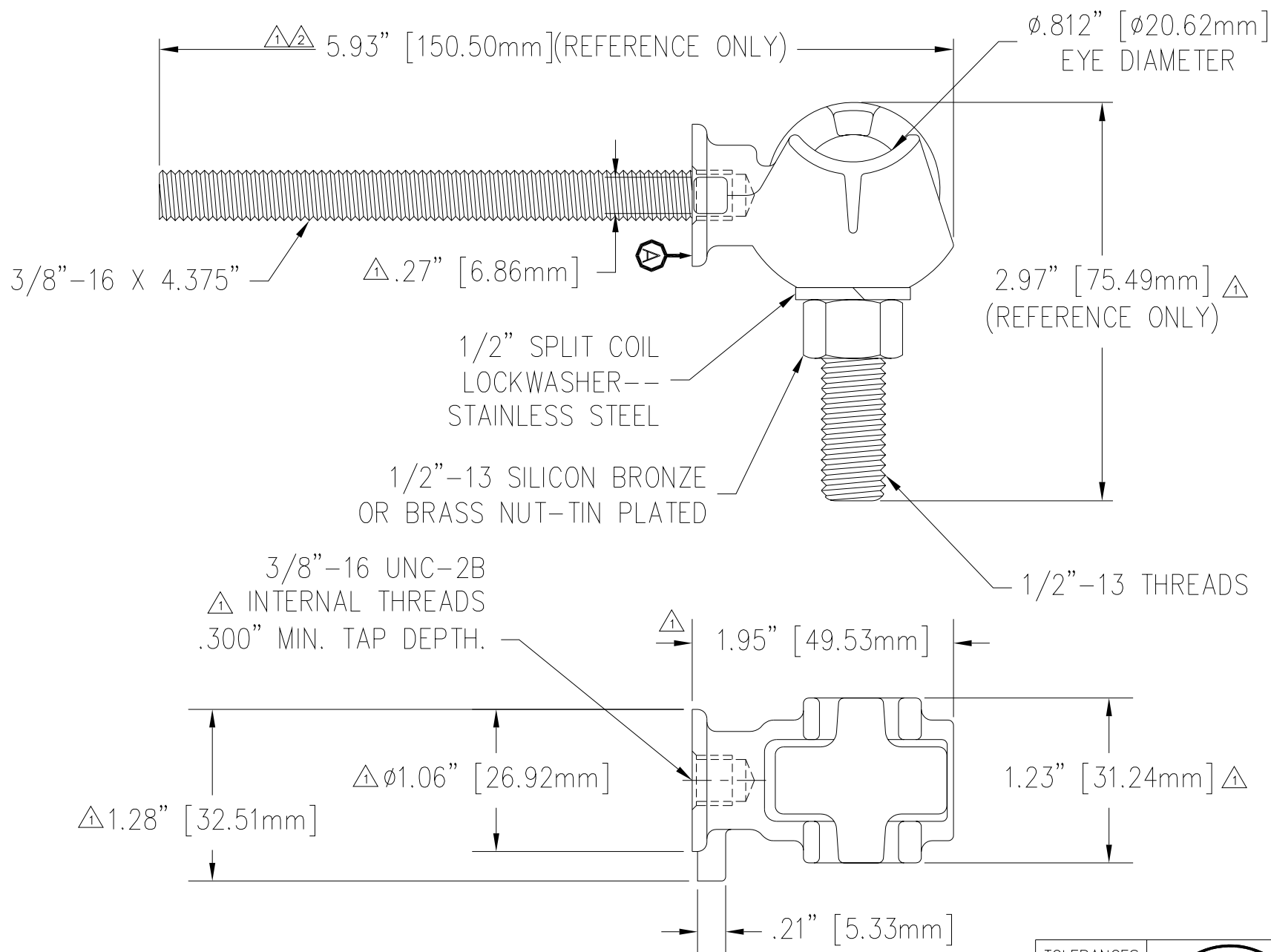


REVISIONS				
NO.	DATE	REMARKS	BY	APPD.
1	11-23-99	ADDED TAP NOTE AND ADDED AND EDITED DIMS.	CJT	LHE
2	12-14-99	EDITED A DIMENSION.	CJT	LHE



NOTES:
 1. INCLUDES THREE EXTRA BRASS NUTS.
 2. INCLUDES ONE EXTRA BRASS WASHER.

MATERIAL:
 STUD - COPPER CDA 110
 TERMINAL BODY - CDA 844 TIN PLATED
 EYEBOLT - CDA 955 TIN PLATED

NOTE:
 STUD REMOVED FROM BOTTOM VIEW FOR DIMENSIONING.

TOLERANCES (EXCEPT AS NOTED)				H-J ENTERPRISES, INC. 3010 HIGH RIDGE BLVD. HIGH RIDGE, MO. 63049 USA PHONE 1-636-677-3421 FAX 1-636-376-1915	
DECIMAL	$\pm .032'' / .8\text{mm}$			25 KVA L.V. I-BOLT HARDWARE	
FRACTIONAL	\pm	MATERIAL (SEE ABOVE)		CHK'D	APP'D
ANGULAR	$\pm 2^\circ$	DRAWN BY	DATE	SCALE	DRAWING NO.
		CJT	9-29-98	N.T.S.	AS1020-008