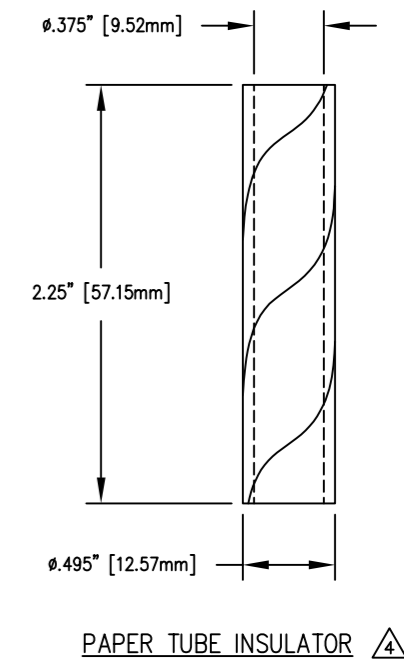
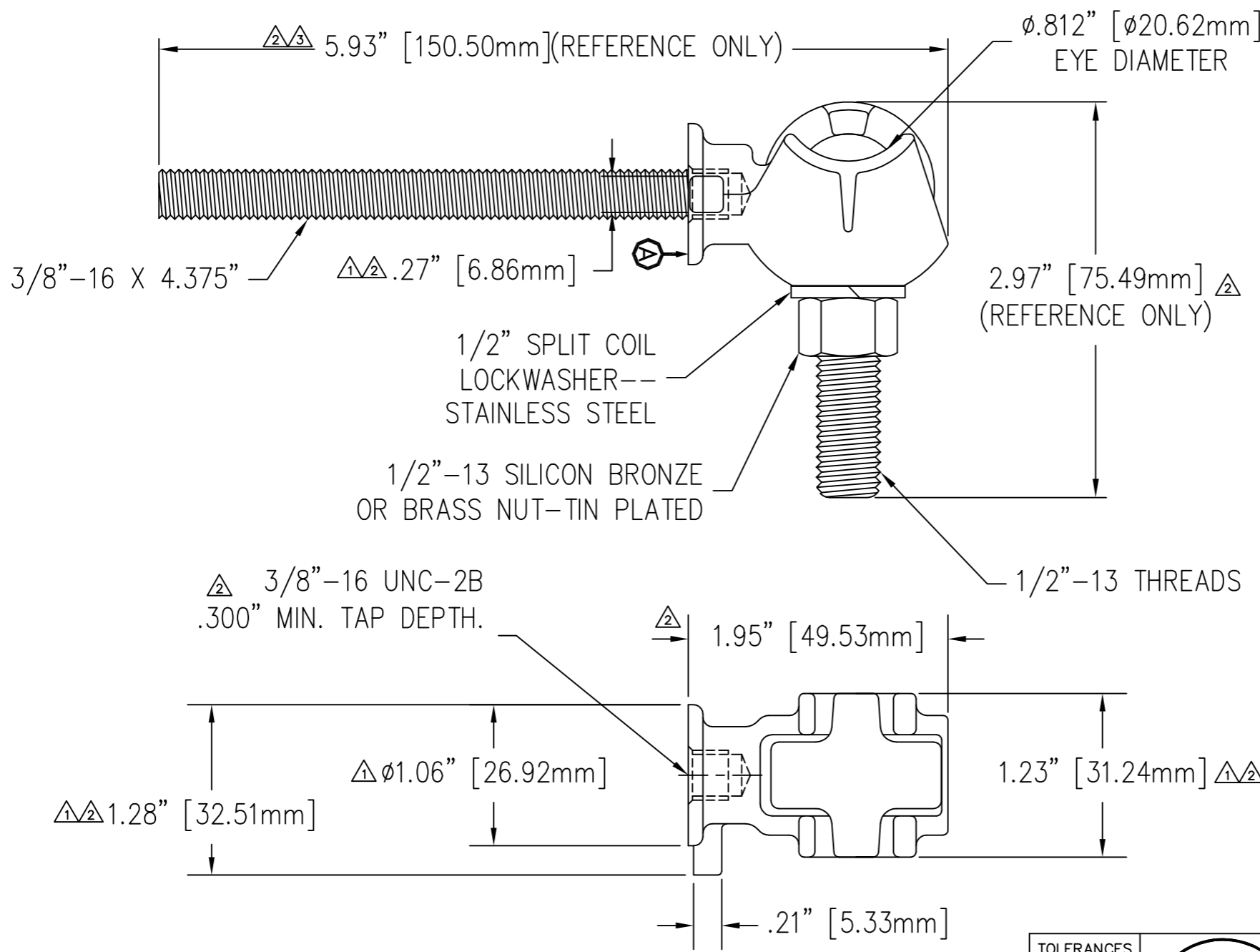


REVISIONS

NO.	DATE	ECN #	REMARKS	BY	APPD.
1	7-26-99		ADDED DIMS. & A NOTE.	CJT	LHE
2	11-23-99		ADDED TAP NOTE AND EDITED DIMENSIONS.	CJT	LHE
3	12-14-99		EDITED A DIMENSION.	CJT	LHE
4	2-20-07	HJ07-023	ADDED TUBE TO DWG.	PWD	JM



MATERIAL:
 STUD - COPPER CDA 11000
 TERMINAL BODY - CDA 84400 TIN PLATED
 EYEBOLT - CDA 95500 TIN PLATED

NOTE:
 STUD REMOVED FROM BOTTOM
 VIEW FOR DIMENSIONING.

TOLERANCES (EXCEPT AS NOTED) DECIMAL $\pm .032'' / .8\text{mm}$ FRACTIONAL \pm ANGULAR $\pm 2^\circ$		H-J ENTERPRISES, INC. 3010 HIGH RIDGE BLVD. HIGH RIDGE, MO. 63049 USA PHONE 1-636-677-3421 FAX 1-636-376-1915			
		25 KVA L.V. I-BOLT HARDWARE			
		MATERIAL (SEE ABOVE)			
		CHK'D DRAWN BY TLH	APP'D DATE 4-24-96	SCALE N.T.S.	DRAWING NO. AS1020-005