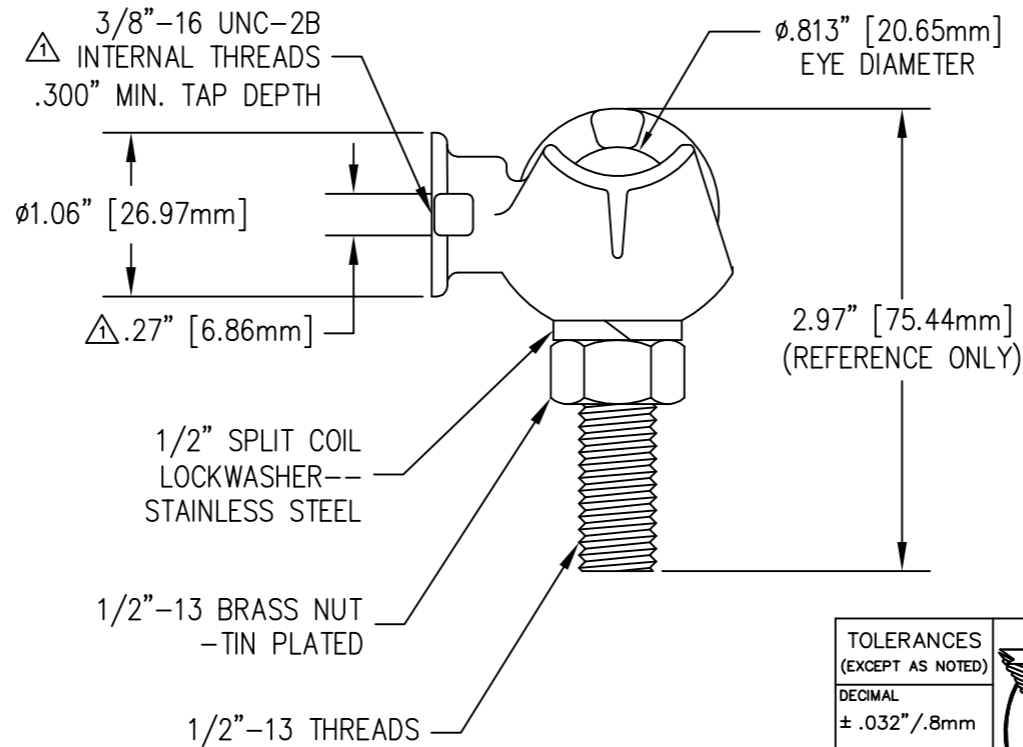


REVISIONS					
NO.	DATE	ECN #	REMARKS	BY	APPD.
1	11-19-99		ADDED TAP NOTE AND EDITED DIMENSIONS.	CJT	LHE
2	12-13-99		EDITED DIMENSIONS.	CJT	LHE
3	2-16-06	HJ06-011	REVISED THREADS.	CJT	SP
4	5-18-06	HJ06-054	ADDED PART # & DIM.	CJT	JM



**MATERIAL:**  
 STUD - COPPER CDA 11000  
 BODY - CDA 84400 TIN PLATED  
 EYEBOLT - CDA 95500 TIN PLATED

**NOTE:**  
 1. BOTTOM VIEW SHOWN WITHOUT STUD TO SHOW DIMENSIONS.  
 2. CELECO PART NUMBER: D864

TOLERANCES (EXCEPT AS NOTED)				<b>H-J ENTERPRISES, INC.</b> 3010 HIGH RIDGE BLVD. HIGH RIDGE, MO. 63049 USA PHONE 1-636-677-3421 FAX 1-636-376-1915	
DECIMAL	± .032" / .8mm			<b>EYEBOLT, TERMINAL BODY, AND STUD ASSEMBLY</b>	
FRACTIONAL	±			MATERIAL (SEE DRAWING)	
ANGULAR	± 2°	CHK'D	APP'D	DRAWING NO.	
DRAWN BY CJT		DATE 7-26-99		SCALE N.T.S.	
				AS1020-004	