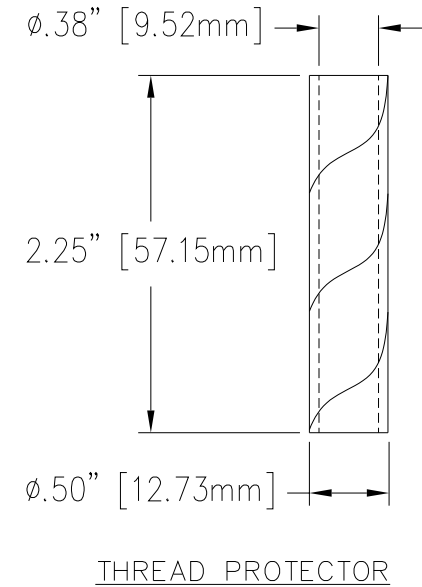



REVISIONS				
NO.	DATE	REMARKS	BY	APPD.
1	11-23-99	EDITED TAP NOTE AND DIMENSIONS.	CJT	LHE
2	12-14-99	EDITED A DIMENSION.	CJT	LHE



MATERIAL:
 STUD - COPPER CDA 110
 BODY - CDA 844 TIN PLATED
 EYEBOLT - CDA 955 TIN PLATED

NOTE:
 FULL THREAD FROM SURFACE 
 TO THE DEPTH SPECIFIED IN THE TAP NOTE.

THE STUD IN BOTTOM VIEW HAS BEEN REMOVED FOR DIMENSIONING.

TOLERANCES (EXCEPT AS NOTED) DECIMAL $\pm .032"/.8\text{mm}$ FRACTIONAL \pm ANGULAR $\pm 2^\circ$		H-J ENTERPRISES, INC. 3010 HIGH RIDGE BLVD. HIGH RIDGE, MO. 63049 USA PHONE 1-636-677-3421 FAX 1-636-376-1915		
		25KVA 3/8"-16 X 4.75" STUD AND TERMINAL BODY ASSEMBLY		
		MATERIAL (SEE DRAWING)		
		CHK'D DRAWN BY CJT	DATE 9-30-98	APP'D SCALE N.T.S.