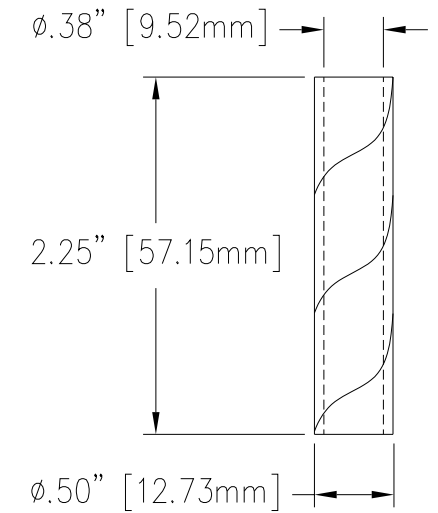
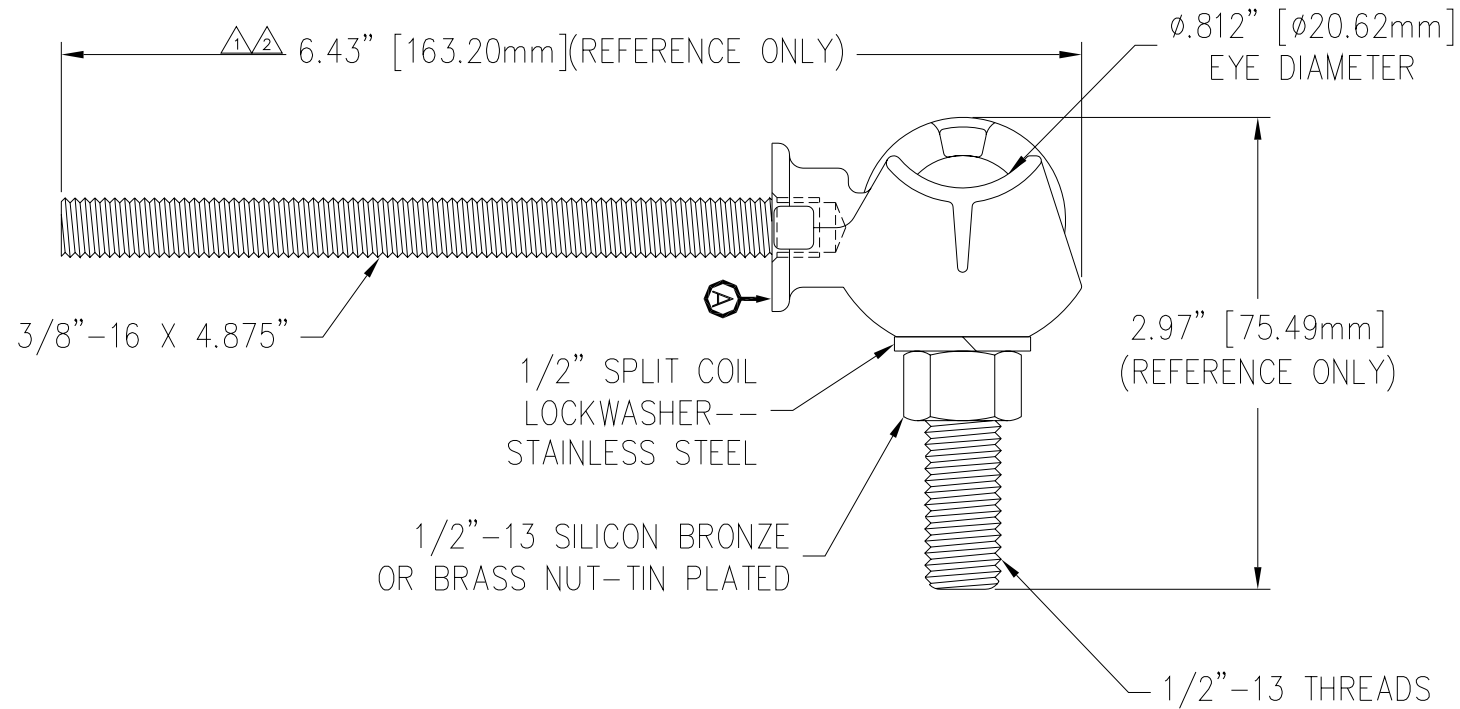
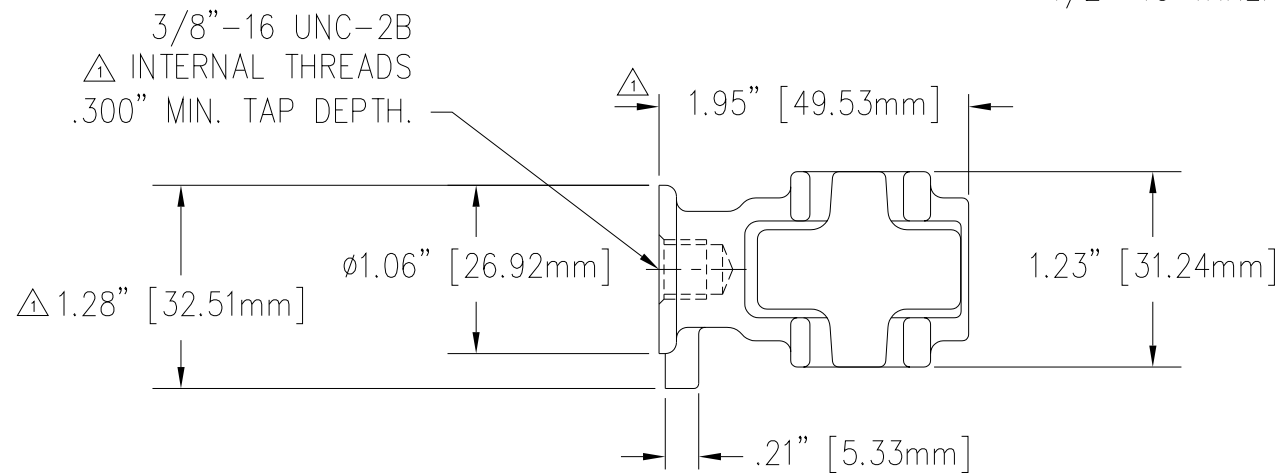


REVISIONS				
NO.	DATE	REMARKS	BY	APPD.
1	11-23-99	EDITED TAP NOTE AND DIMENSIONS.	CJT	LHE
2	12-14-99	EDITED A DIMENSION.	CJT	LHE




THREAD PROTECTOR



MATERIAL:
 STUD - COPPER CDA 110
 BODY - CDA 844 TIN PLATED
 EYEBOLT - CDA 955 TIN PLATED

NOTE:
 FULL THREAD FROM SURFACE Δ
 TO THE DEPTH SPECIFIED IN THE TAP NOTE.

THE STUD IN BOTTOM VIEW HAS
 BEEN REMOVED FOR DIMENSIONING.

TOLERANCES (EXCEPT AS NOTED)				H-J ENTERPRISES, INC. 3010 HIGH RIDGE BLVD. HIGH RIDGE, MO. 63049 USA PHONE 1-636-677-3421 FAX 1-636-376-1915	
DECIMAL	$\pm .032"/.8mm$			3/8"-16 X 4.875" STUD AND TERMINAL BODY ASSEMBLY	
FRACTIONAL	\pm	MATERIAL (SEE DRAWING)		CHK'D	APP'D
ANGULAR	$\pm 2^\circ$	DRAWING NO.		DATE	SCALE
		AS1020-002		DRAWN BY	N.T.S.
				CJT	9-29-98