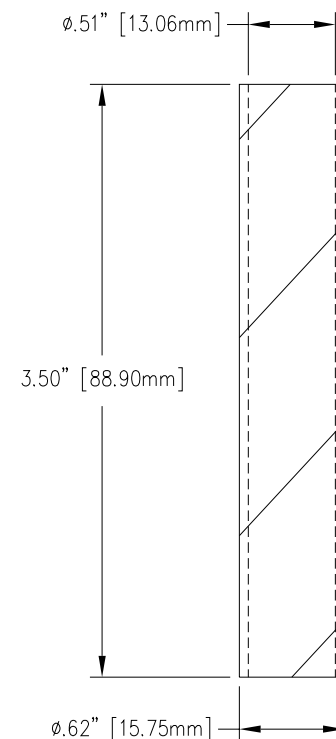
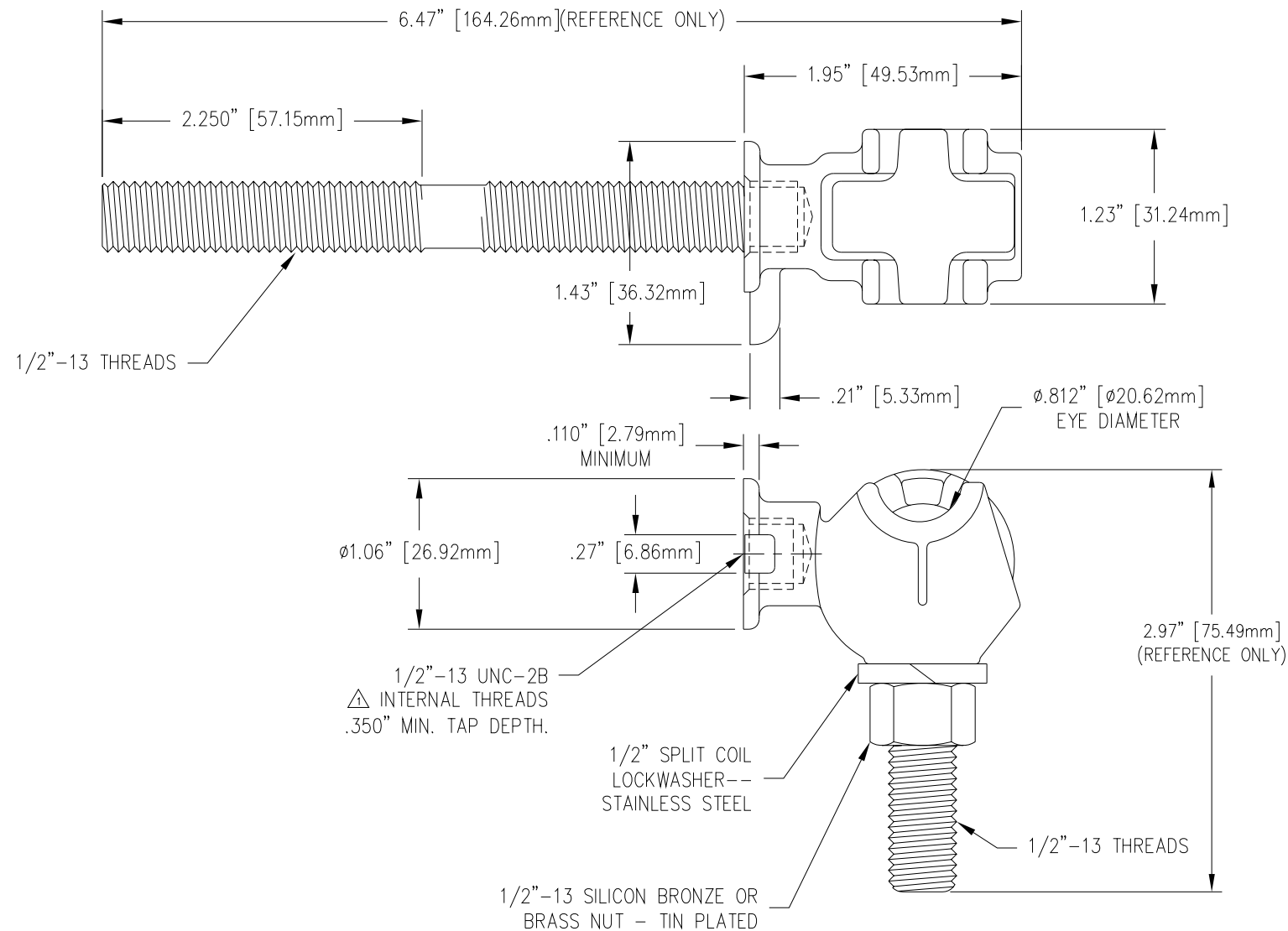


REVISIONS				
NO.	DATE	REMARKS	BY	APPD.
1	12-3-99	ADDED TAP NOTE AND REDIMENSIONED DRAWING.	CJT	LHE



THREAD PROTECTOR

NOTE:
STUD HAS BEEN REMOVED
IN THIS VIEW FOR CLAIRITY.

- NOTES:
1. INCLUDES THREE EXTRA BRASS NUTS.
 2. INCLUDES ONE EXTRA BRASS WASHER.

MATERIAL:
STUD - COPPER CDA 110
TERMINAL BODY - CDA 844 TIN PLATED
EYEBOLT - CDA 955 TIN PLATED

TOLERANCES (EXCEPT AS NOTED) DECIMAL $\pm .032" / .8mm$ FRACTIONAL \pm ANGULAR $\pm 2^\circ$			H-J ENTERPRISES, INC. 3010 HIGH RIDGE BLVD. HIGH RIDGE, MO. 63049 USA PHONE 1-636-677-3421 FAX 1-636-376-1915	
			50 KVA EYEBOLT & STUD HARDWARE ASSEMBLY	
	MATERIAL (SEE ABOVE)		CHK'D APP'D	DRAWING NO. AS1019-017
	DRAWN BY CJT	DATE 10-5-98	SCALE N.T.S.	