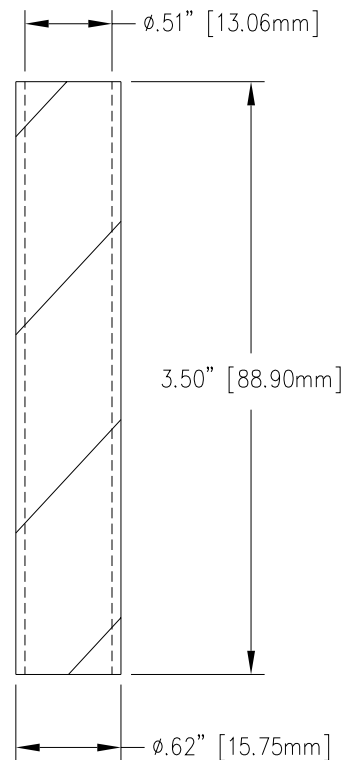
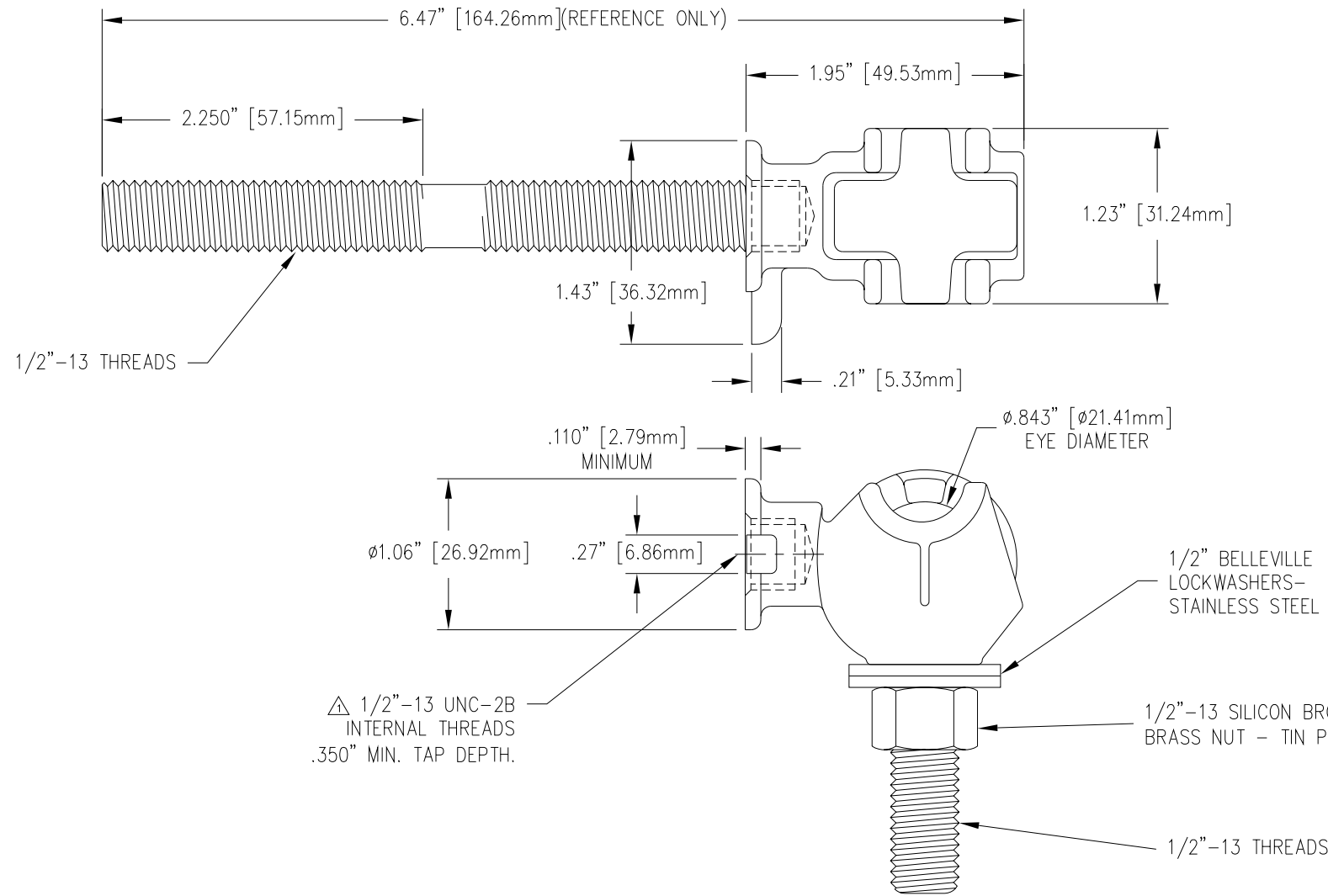


REVISIONS				
NO.	DATE	REMARKS	BY	APPD.
△1	12-6-99	ADDED TAP NOTE AND REDIMENSIONED DRAWING.	CJT	LHE



THREAD PROTECTOR

△ 1/2"-13 UNC-2B  
INTERNAL THREADS  
.350" MIN. TAP DEPTH.

NOTE:  
STUD HAS BEEN REMOVED  
IN THIS VIEW FOR CLAIRITY.

MATERIAL:  
STUD - COPPER CDA 110  
TERMINAL BODY - CDA 844 TIN PLATED  
EYEBOLT - CDA 955 TIN PLATED

TOLERANCES (EXCEPT AS NOTED)					<b>H-J ENTERPRISES, INC.</b> 3010 HIGH RIDGE BLVD. HIGH RIDGE, MO. 63049 USA PHONE 1-636-677-3421 FAX 1-636-376-1915	
DECIMAL	± .032" / .8mm				<b>50 KVA TERMINAL BODY, EYEBOLT, AND STUD HARDWARE ASSEMBLY</b>	
FRACTIONAL	±	MATERIAL (SEE ABOVE)		CHK'D	APP'D	DRAWING NO.
ANGULAR	± 2°	DRAWN BY CJT		DATE 10-5-98	SCALE N.T.S.	AS1019-015