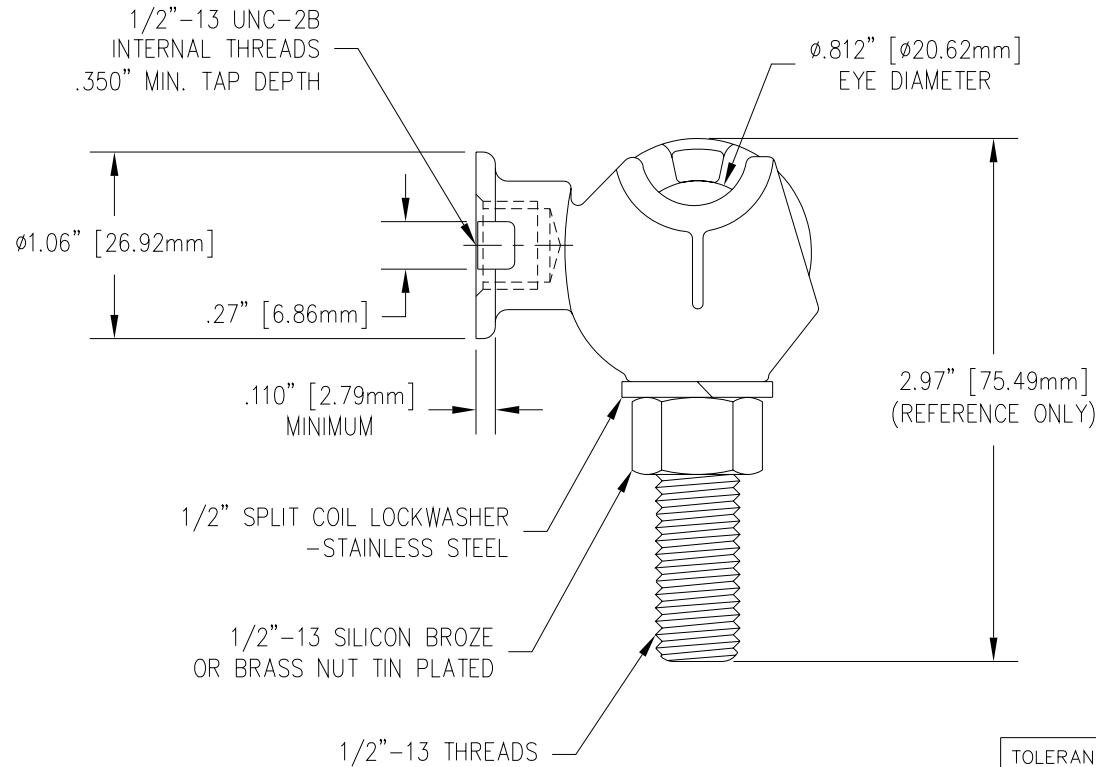
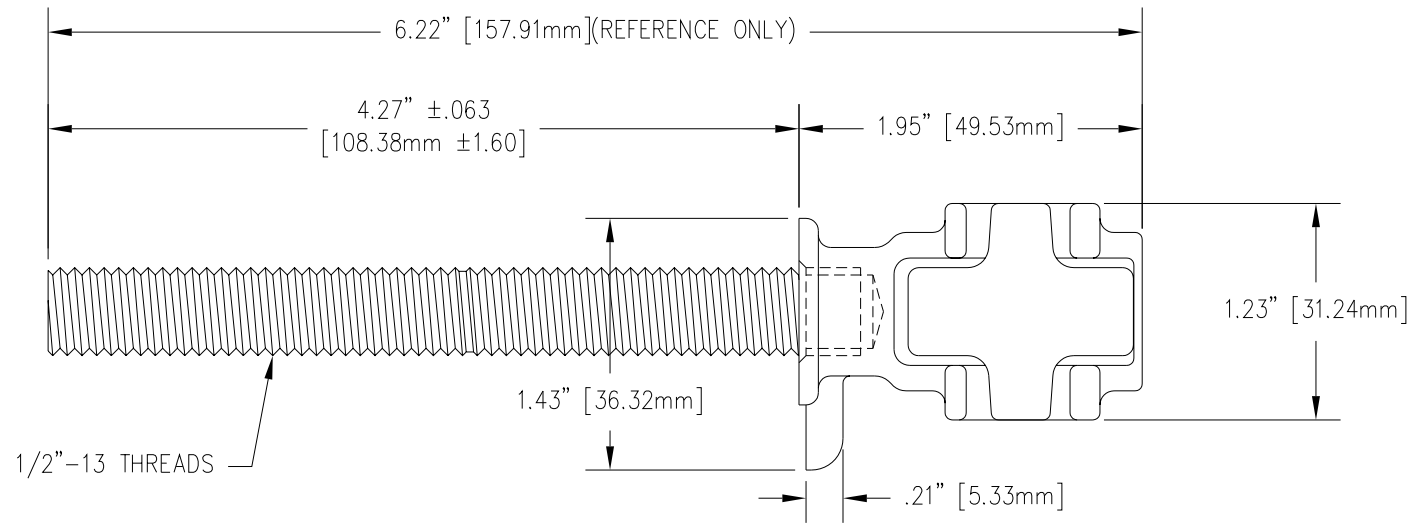


REVISIONS				
NO.	DATE	REMARKS	BY	APPD.
△	12-1-99	REDRAWN & REDIMENSIONED.	CJT	LHE



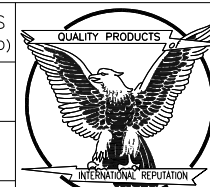
NOTES:

1. INCLUDES THREE EXTRA BRASS NUTS.
2. INCLUDES THREE EXTRA BRASS WASHERS.

MATERIAL:

STUD - COPPER CDA 110  
 BODY - CDA 844 TIN PLATED  
 EYEBOLT - CDA 955 TIN PLATED

TOLERANCES (EXCEPT AS NOTED)	
DECIMAL	± .032" / .8mm
FRACTIONAL	±
ANGULAR	± 2°



**H-J ENTERPRISES, INC.**  
 3010 HIGH RIDGE BLVD. HIGH RIDGE, MO. 63049 USA  
 PHONE 1-636-677-3421 FAX 1-636-376-1915

50 KVA EYEBOLT, TERMINAL BODY,  
 AND STUD HARDWARE ASSEMBLY

MATERIAL  
 (SEE ABOVE)

CHK'D APP'D DRAWING NO.

DRAWN BY  
 CJT

DATE  
 10-1-98

SCALE  
 N.T.S.

AS1019-013