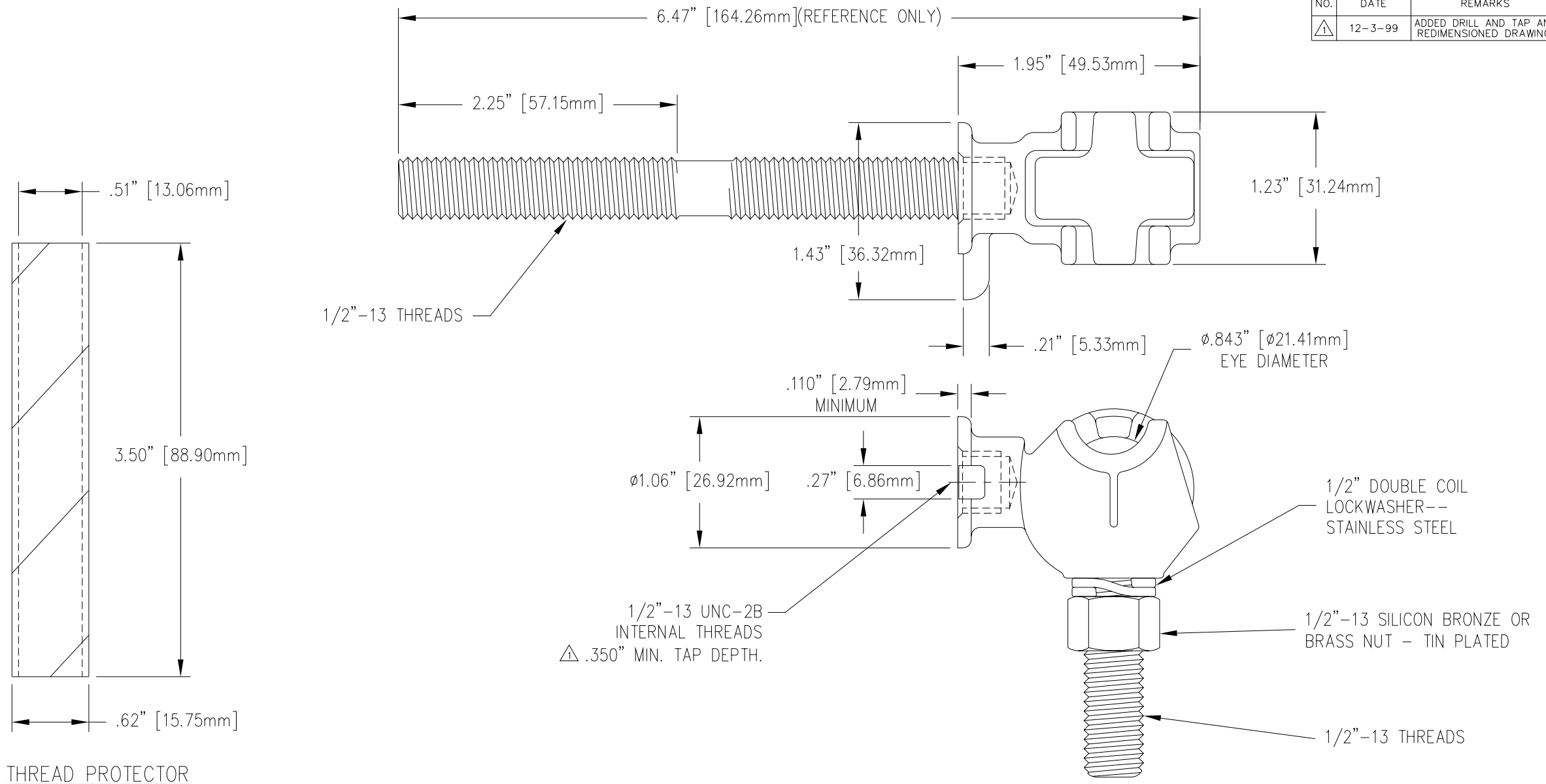


REVISIONS				
NO.	DATE	REMARKS	BY	APPD.
1	12-3-99	ADDED DRILL AND TAP AND REDIMENSIONED DRAWING.	CJT	LHE



MATERIAL:  
 BODY - CDA 844-TIN PLATED  
 STUD - COPPER CDA 110  
 EYEBOLT - CDA 955-TIN PLATED

TOLERANCES (EXCEPT AS NOTED) DECIMAL ± .032" / .8mm FRACTIONAL ± ANGULAR ± 2°		<b>H-J ENTERPRISES, INC.</b> 3010 HIGH RIDGE BLVD. HIGH RIDGE, MO. 63049 USA PHONE 1-636-677-3421 FAX 1-636-376-1915		
		50 KVA TERMINAL BODY, EYEBOLT, AND STUD HARDWARE ASSEMBLY		
		MATERIAL (SEE DRAWING)		
		CHK'D DRAWN BY CJT	APP'D DATE 10-5-98	DRAWING NO. AS1019-012