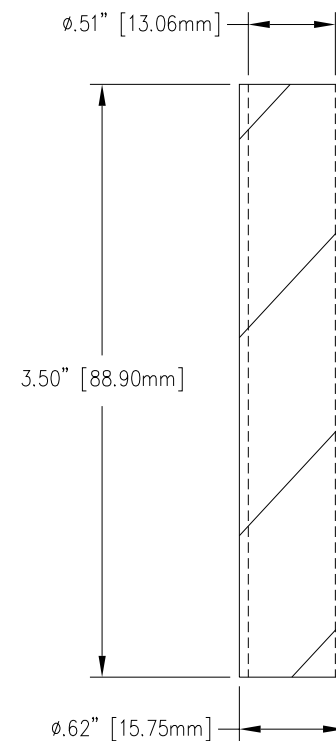
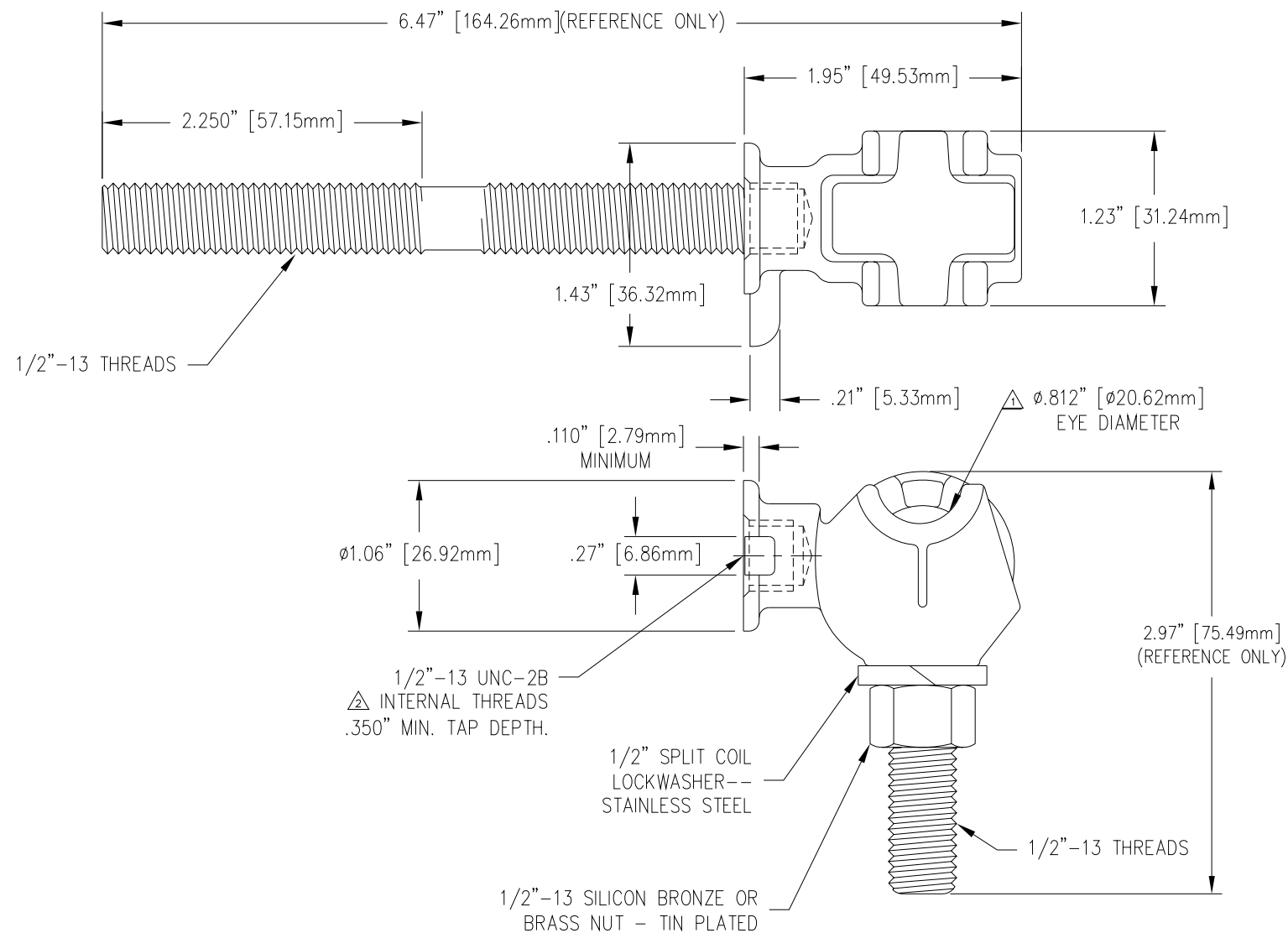


REVISIONS				
NO.	DATE	REMARKS	BY	APPD.
1	10-21-97	CHANGED EYE DIAMETER.	BTD	LHE
2	12-3-99	ADDED TAP NOTE AND REDIMENSIONED DRAWING.	CJT	LHE



THREAD PROTECTOR

NOTE:
STUD HAS BEEN REMOVED
IN THIS VIEW FOR CLAIRITY.

MATERIAL:
STUD - COPPER CDA 110
TERMINAL BODY - CDA 844 TIN PLATED
EYEBOLT - CDA 955 TIN PLATED

TOLERANCES (EXCEPT AS NOTED)	
DECIMAL	± .032" / .8mm
FRACTIONAL	±
ANGULAR	± 2°



H-J ENTERPRISES, INC.
3010 HIGH RIDGE BLVD. HIGH RIDGE, MO. 63049 USA
PHONE 1-636-677-3421 FAX 1-636-376-1915

50 KVA EYEBOLT & STUD
HARDWARE ASSEMBLY

MATERIAL (SEE ABOVE)

CHK'D APP'D

DRAWING NO.
AS1019-004

DRAWN BY TLH

DATE 5-22-96

SCALE N.T.S.