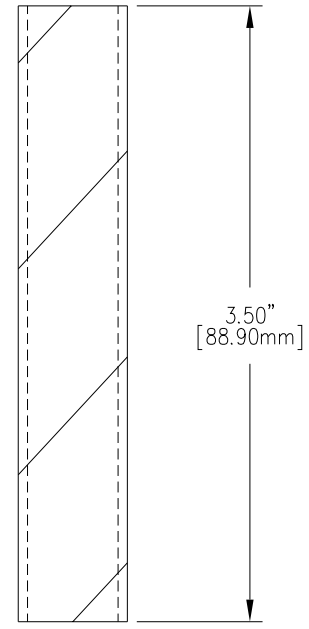
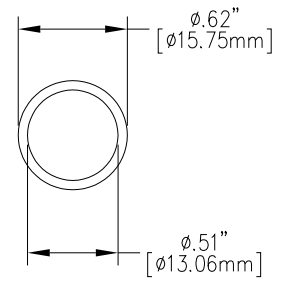
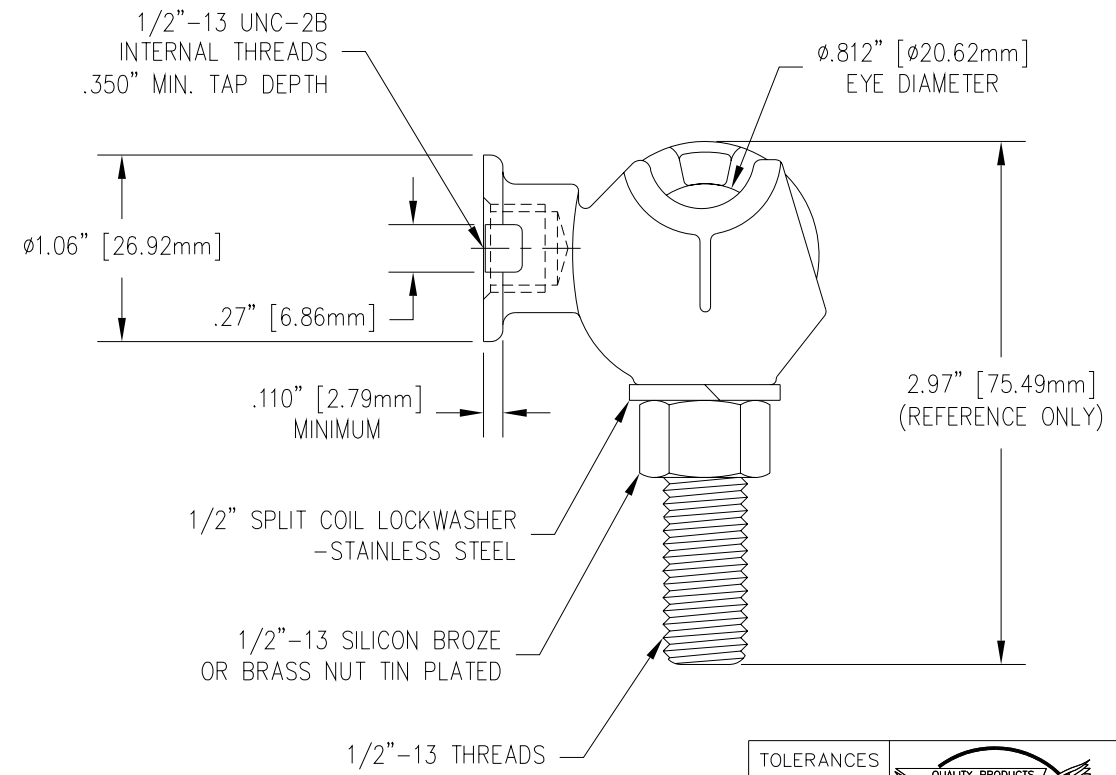
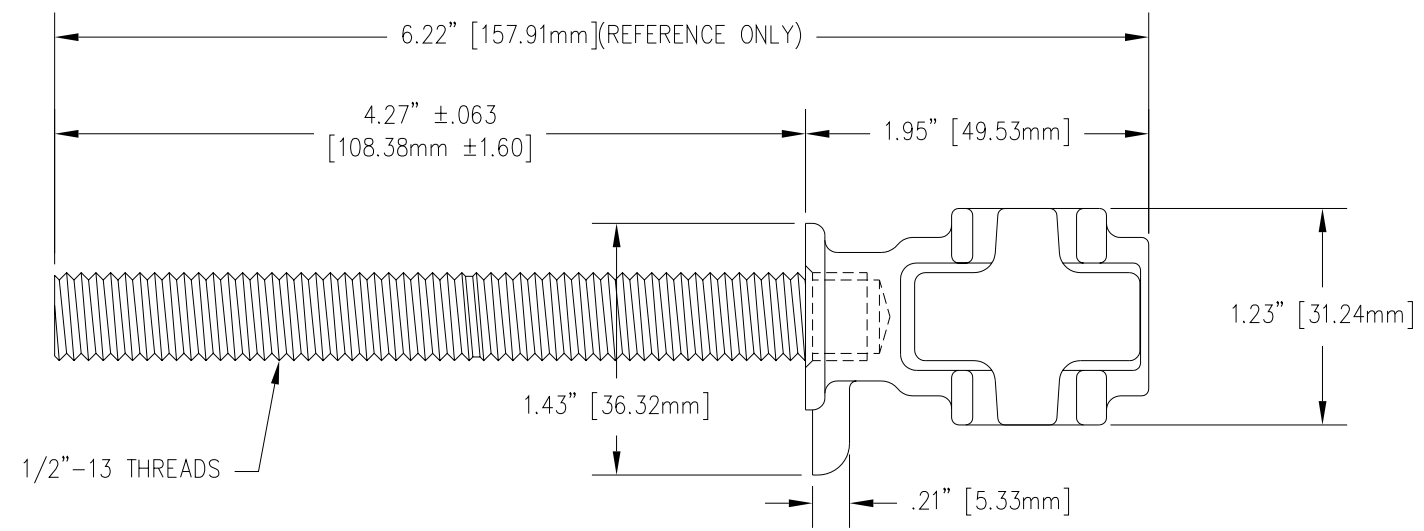


REVISIONS				
NO.	DATE	REMARKS	BY	APPD.
△	12-1-99	REDRAWN & REDIMENSIONED.	CJT	LHE



THREAD PROTECTOR



MATERIAL:
 STUD - COPPER CDA 110
 BODY - CDA 844 TIN PLATED
 EYEBOLT - CDA 955 TIN PLATED

TOLERANCES (EXCEPT AS NOTED)			H-J ENTERPRISES, INC. 3010 HIGH RIDGE BLVD. HIGH RIDGE, MO. 63049 USA PHONE 1-636-677-3421 FAX 1-636-376-1915	
DECIMAL	± .032" / .8mm		50 KVA EYEBOLT, TERMINAL BODY, AND STUD HARDWARE ASSEMBLY	
FRACTIONAL	±	MATERIAL (SEE ABOVE)		
ANGULAR	± 2°	CHK'D	APP'D	DRAWING NO.
		DRAWN BY	DATE	SCALE
		CJT	10-1-98	N.T.S.
				AS1019-002