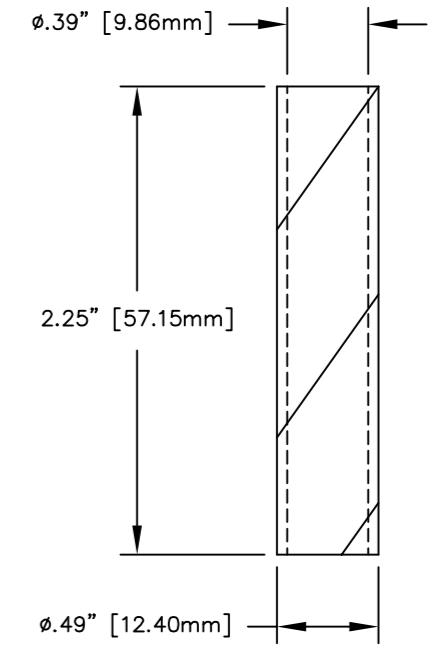
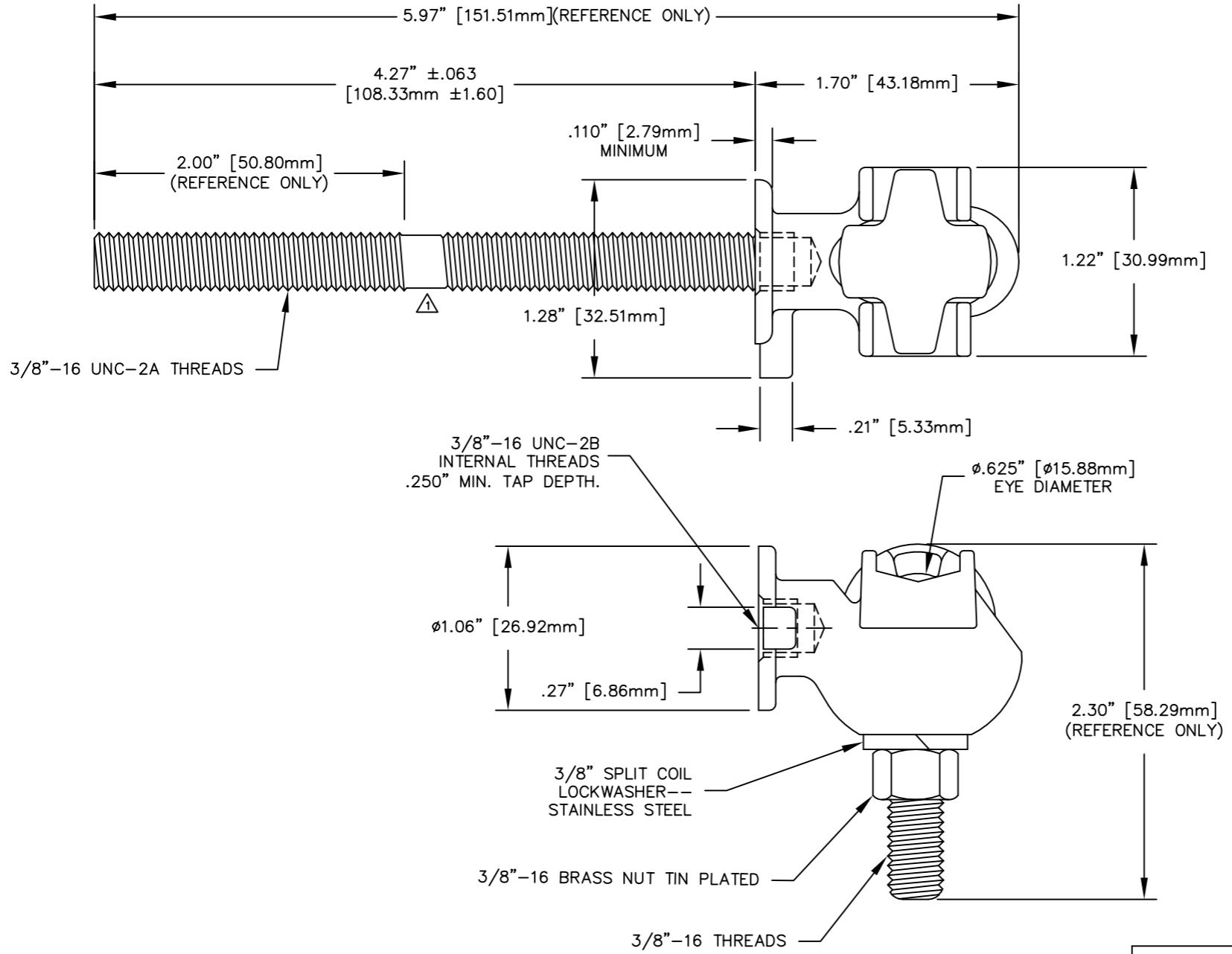


REVISIONS					
NO.	DATE	ECN #	REMARKS	BY	APPD.
1	2-16-06	HJ06-011	REVISED THREADS.	CJT	SP



THREAD PROTECTOR

MATERIAL:  
 STUD - COPPER CDA 11000  
 BODY - CDA 84400 TIN PLATED.  
 EYEBOLT - CDA 95500 TIN PLATED

TOLERANCES (EXCEPT AS NOTED)	
DECIMAL	± .032" / .8mm
FRACTIONAL	±
ANGULAR	± 2°



**H-J ENTERPRISES, INC.**  
 3010 HIGH RIDGE BLVD. HIGH RIDGE, MO. 63049 USA  
 PHONE 1-636-677-3421 FAX 1-636-376-1915

**15 KVA TERMINAL BODY, EYEBOLT, AND STUD HARDWARE ASSEMBLY**

MATERIAL SEE DRAWING

CHK'D	APP'D	DRAWING NO.
		AS1018-013

DRAWN BY CJT DATE 4-19-00 SCALE N.T.S.